

SPLIT SYSTEM AIR CONDITIONER 60HZ /10 EER /3 TO 5 Tons

COOLING CAPACITY:
36,000 TO 60,000 BTU/H

Standard features

- Quiet operating top discharge
- Copper tube/aluminum fin coil
- Totally enclosed and permanently lubricated condenser motor
- Factory-installed liquid line filter drier
- Brass suction and liquid service valve with sweat connections
- Hermetically sealed compressor with internal high-pressure relief
- Contactor with lug connections
- Ground lug connection

Cabinet features

- Innovative sound control top design
- Heavy-gauge, galvanized-steel cabinet properly reinforced and braced
- Steel louver coil guard
- Attractive architectural gray powder-paint finish with 500-hour salt spray approval
- Removable access panels



Accessories

- Standard room thermostat with 1-stage cool/1-stage heat (CHT18-60 or CHSATG)
- Digital room thermostat with 1-stage cool/1-stage heat (CH70TG)
- Cooling-only room thermostat (CT18-60)
- Outdoor Thermostat (OT18-60)
- Low Ambient Kit (IA-01)

Nomenclature

	C	KL	036	1	AA
	1	2,3	4,5,6	7	8,9
Product Category				Engineering	
C Split System				Major/ Minor Revisions	
Unit Type				Electrical	
EL Commercial Air Conditioner					
KL Air Conditioner				1	208/230 V, 1 Phase, 60 Hz
PL Heat Pump				2	220/240 V, 1 Phase, 50 Hz
				3	208/230 V, 3 Phase, 60 Hz
Nominal Capacity				4	460 V, 3 Phase, 60 Hz
036 3 Tons				5	380/415 V, 3 Phase, 50 Hz
049 4 Tons					
060 5 Tons					



Specifications

	CKL36-1*	CKL49-1*	CKL60-1*	CKL60-3*
Capacities				
Nominal Cooling (BTU/h)	36,000	46,000	57,000	57,000
SEER ¹	10.0	10.0	10.0	10.0
EER ²	9.5	9.5	9.0	9.0
Decibels	78	80	80	80
Compressor				
RLA	14.4	18.2	17.9	7.4
LRA	82	102	97.4	50
Condenser Fan Motor				
Horsepower	¼	¼	¼	¼
FLA	1.5	1.5	0.9	0.8
Outdoor Nominal CFM	2,200	2,800	3,000	3,000
Rows Deep/ Fins per Inch	1/ 19	1/ 19	1/ 19	1/ 19
Fin Type	Rippled	Rippled	Rippled	Rippled
Coil No. of Tubes	22	22	24	24
Coil Tube Diameter (in.)	0.375	0.375	0.375	0.375
Refrigeration System				
Liquid Valve Size ("O.D.)	⅜" [.95]	⅜" [.95]	⅜" [.95]	⅜" [.95]
Suction Valve Size ("O.D.)	¾" [1.9]	¾" [2.2]	¾" [2.2]	¾" [2.2]
Valve Type	Sweat	Sweat	Sweat	Sweat
Refrigerant Charge	112	122	130	130
Shipped with Orifice Size	0.071	0.080	0.093	0.093
Electrical Data				
Voltage-Phase	208/230-1	208/230-1	208/230-1	208/230-3
Min. Circuit Ampacity ³	19.5	24.3	23.3	21.1
MOP (amps) ⁴	30	40	40	30
Min / Max Volts	197/ 253	197/ 253	197/ 253	197/ 253
Power Supply Conduit Size	½ or ¾	½ or ¾	½ or ¾	½ or ¾
Ship Weight (lbs)	179 [81.2]	211 [95.7]	211 [95.7]	231 [104.8]

[] Designates metric equivalents

¹ Seasonal Energy Efficiency Ratio

² Energy Efficiency Ratio

³ Wire size should be determined in accordance with National Electrical Codes. Extensive wire runs will require larger wire sizes.

⁴ Maximum Overcurrent Protection Device

Notes:

- Must use time-delay fuses or HACR-type circuit breakers of the same size as noted.
- Always check the S&R plate for electrical data on the unit being installed.

Performance Ratings

Model #	Coil / Air Handler	Cooling Capacity (BTU/h)				dBs
		Total	Sensible	EER ²	kWl ³	
CKL36-1*	ARUF36C14	34,600	27,400	9.5	3.8	78
	CA*F3030*6*	35,000	27,200	9.5	3.68	78
CKL49-1*	ARUF48D14	44,500	34,200	9.0	5.00	80
	CA*F3642*6*	45,000	33,600	9.2	4.89	80
CKL60-1*	ARUF60D14	56,000	40,000	9.0	6.20	80
	CA*F4860*6*	57,000	43,000	9.0	6.33	80
CKL60-3*	ARUF60D14	56,000	40,000	9.0	6.20	80
	CA*F4860*6*	57,000	43,000	9.0	6.33	80

¹ Seasonal Energy Efficiency Ratio

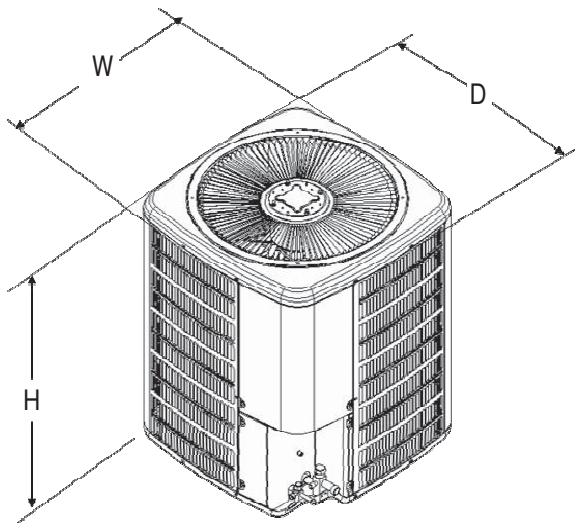
² Energy Efficiency Ratio @ 80°F / 67°F / 95°F

³ kWl = Compressor + Indoor Blower + Outdoor Fan Watts

Notes

- Order the EEP from the Service Department using Part No. B13707-38 or new Solid State Board B13707-35S. Part No. B13707-38 is not interchangeable with B13707-35S.
- When mix-matching outdoor and indoor units, the indoor unit check-flowrator must match the outdoor unit size.

Dimensions



Model	Dimensions [mm]		
	W	D	H
CKL36-1*	26" [660]	26" [660]	29" [737]
CKL49-1*	29" [737]	29" [737]	29" [737]
CKL60-1*	29" [737]	29" [737]	29" [737]
CKL60-3*	29" [737]	29" [737]	31½" [800]

Daikin McQuay® reserves the right to discontinue, or change at any time, specifications or designs without notice or without incurring obligations. © 2013