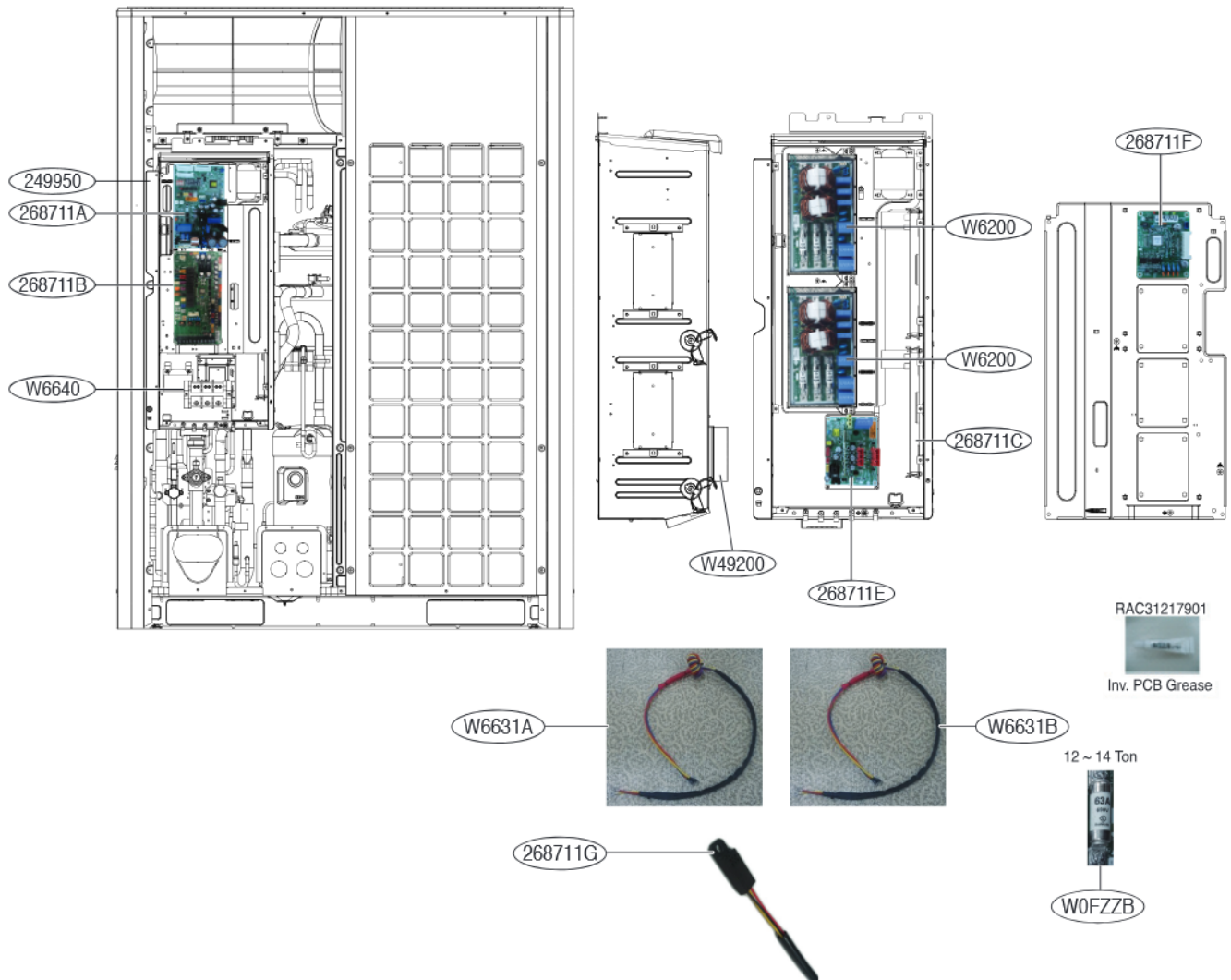
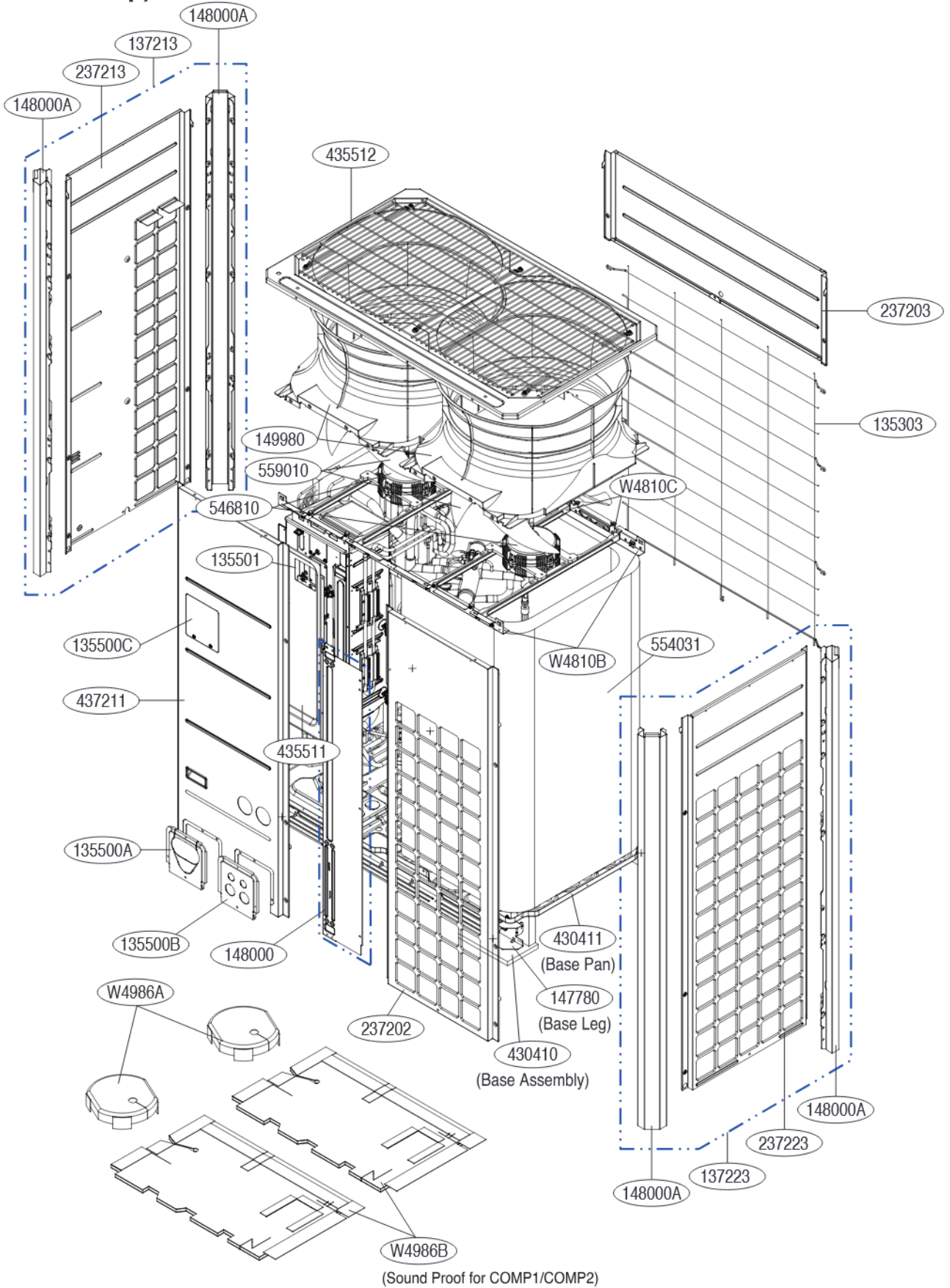


### 6.1.3 12~14 Ton (14~16 HP / UX2 Comp)



Description	SVC L/No.	Harness Location	Housing Color
Harness,Multi	W6631A	Power Cable (Inv. 1 PCB ↔ Comp 1.)	-
Harness,Multi	W6631B	Power Cable (Inv. 2 PCB ↔ Comp 2.)	-
Harness,Single	W6631C	Communication Cable (Main PCB ↔ External PCB)	WH - WH
Harness,Single	W6631D	DC Link (Fan PCB ↔ Inv. PCB)	YL - YL
Harness,Single	W6631E	Communication Cable (Main PCB ↔ External PCB)	BL - BL
Harness,Single	W6631F	Power Cable (Main PCB ↔ External PCB)	WH -WH
Harness,Single	W6631G	Communication Cable (Main PCB ↔ Inv. 2 PCB)	WH - BL
Harness,Single	W6631H	Power Cable (Noise filter 2 PCB ↔ Main PCB)	BL - BL
Harness,Single	W6631J	Power Cable (Main PCB ↔ Inv. 2 PCB)	BK - BK
Harness,Multi	W6631K	Communication Cable (Fan PCB ↔ Inv. 1 PCB)	BK - RD -YL
Harness,Single	W6631L	Communication Cable (IDU communication PCB ↔ Main PCB)	WH - WH
Harness,Single	W6631M	Power Cable (Inv. 1 PCB ↔ Inv. 2 PCB)	BK - BK
Harness,Single	W6631N	Communication Cable (Inv. 1 PCB ↔ Inv. 2 PCB)	RD - WH

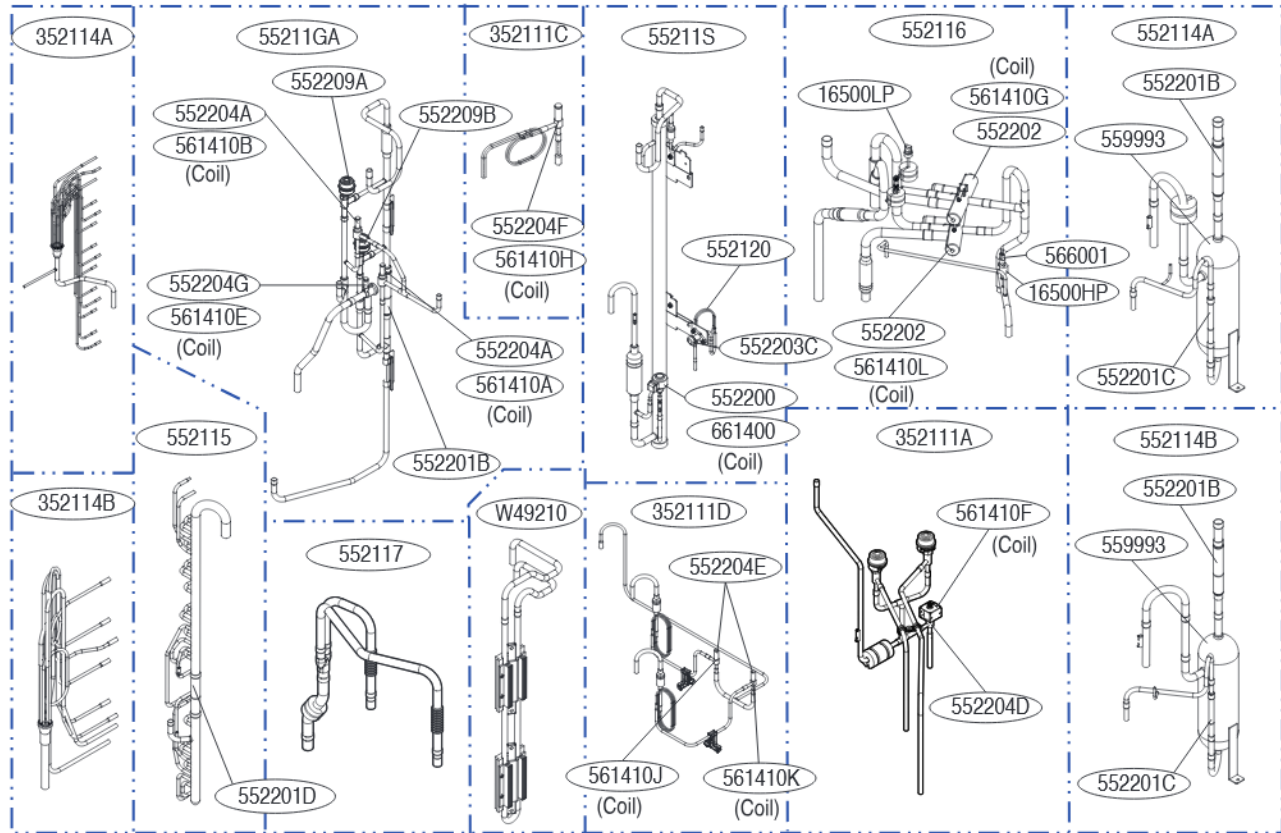
(UXB 2 Comp)



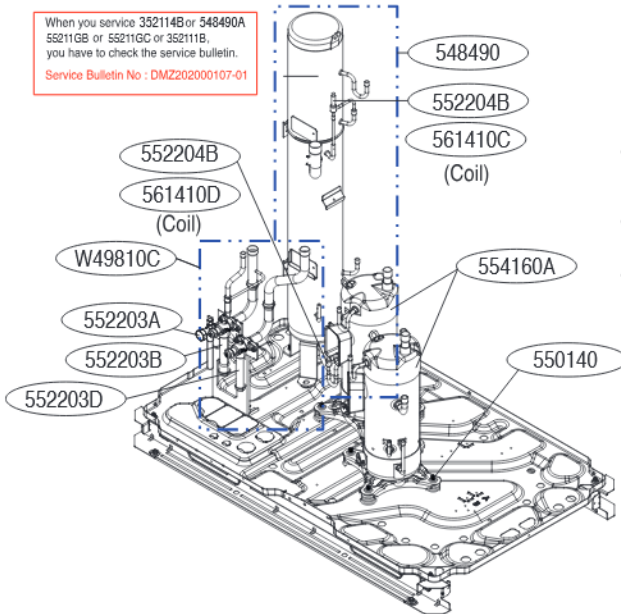
# 12~14 Ton (ARUM144/168DTE5.AWGBLCB)

※ If the serial number is 008, please check visual and P/No. first, then choose the correct P/No.

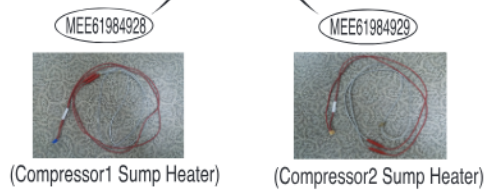
Service Bulletin No : DMZ202000107-01



When you service 352114B or 548490A, 55211GB or 55211GC or 352111B, you have to check the service bulletin.  
Service Bulletin No : DMZ202000107-01



When you service \*MEE61984928, MEE61984929\* in below models, you have to see the service bulletin.  
Service Bulletin No. : DMZ202200036-0x-DMZ202200122-0x



Part	L/No	Sensor location	Housing color
Temp. Sensor 1	263230A	Air	Green
Temp. Sensor 2	263230B	Suction Pipe + HEX1(Temp. Sensor) + Inv.1 Discharge	Purple
Temp. Sensor 3	263230C	Sub Cool Out + HEX2(Upper Temp. Sensor) + Liquid Pipe	Yellow
Temp. Sensor 4	263230D	HEX3(Low Temp. Sensor) + Inv.2 Discharge + Sub Cool In	Black

