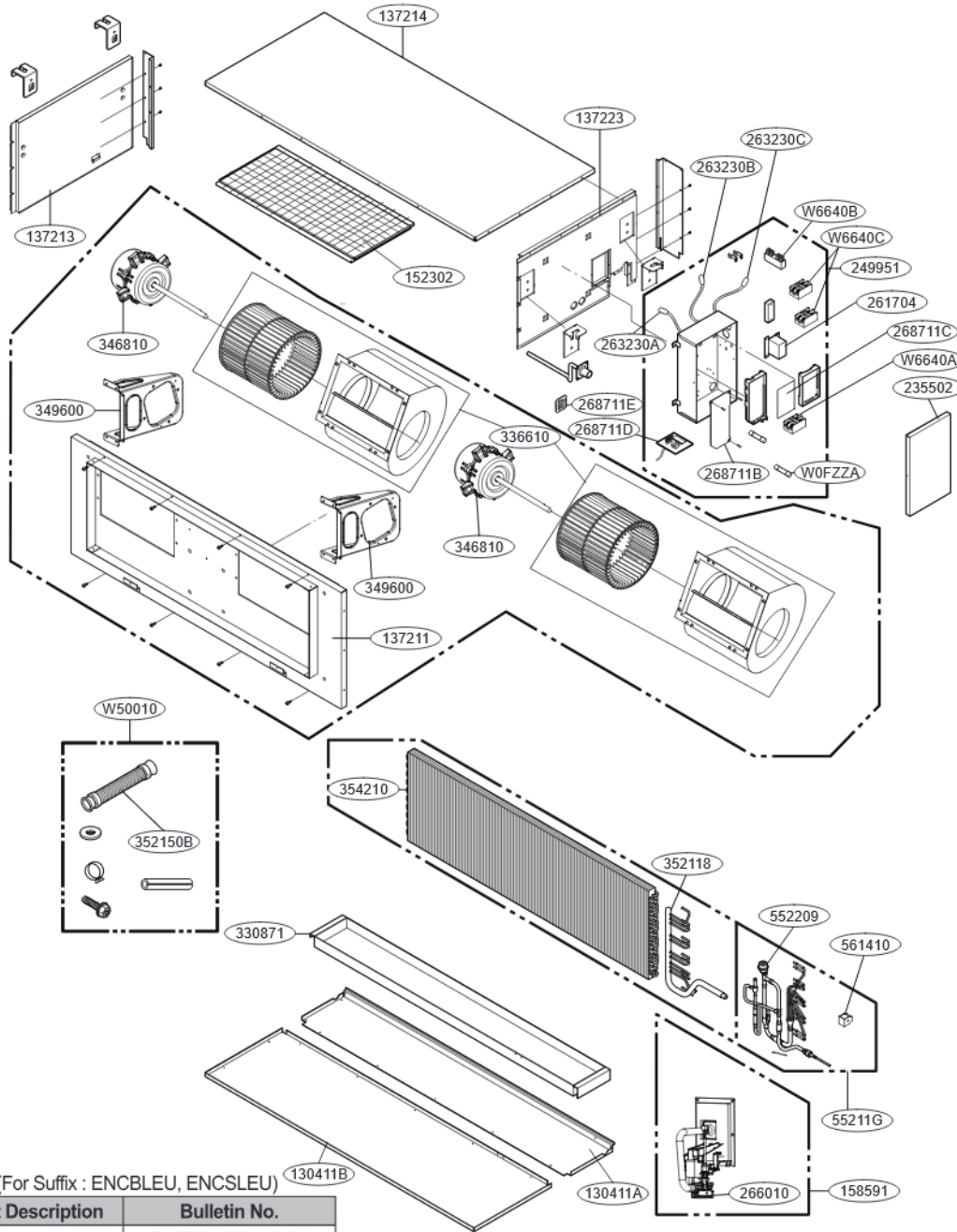


# B8 Chassis

## ARNU76/96GB8A4

(Suffix : ANCBLAR, ANCBLAT, ENCBEVH, ENCBLRU, ANCSSPD, ENCSLEU)



• Service Bulletin (For Suffix : ENCSLEU, ENCSLEU)

Loc.No	Part Description	Bulletin No.
268711B	PCB Assembly,Main	DMZ202500019-01

Loc. No	Description	Remark (Color)
263230A	Thermistor for room air temperature	CN_ROOM (Yellow)
263230B	Thermistor for pipe in temperature	CN_PIPE_IN (White)
263230C	Thermistor for pipe in temperature	CN_PIPE_OUT (Red)
268711B	PCB for main	210 mm X 95 mm
268711C	PCB for motor	140 mm X 100 mm
268711D	PCB for communication	65 mm X 45 mm
268711E	PCB for option	25 mm X 25mm