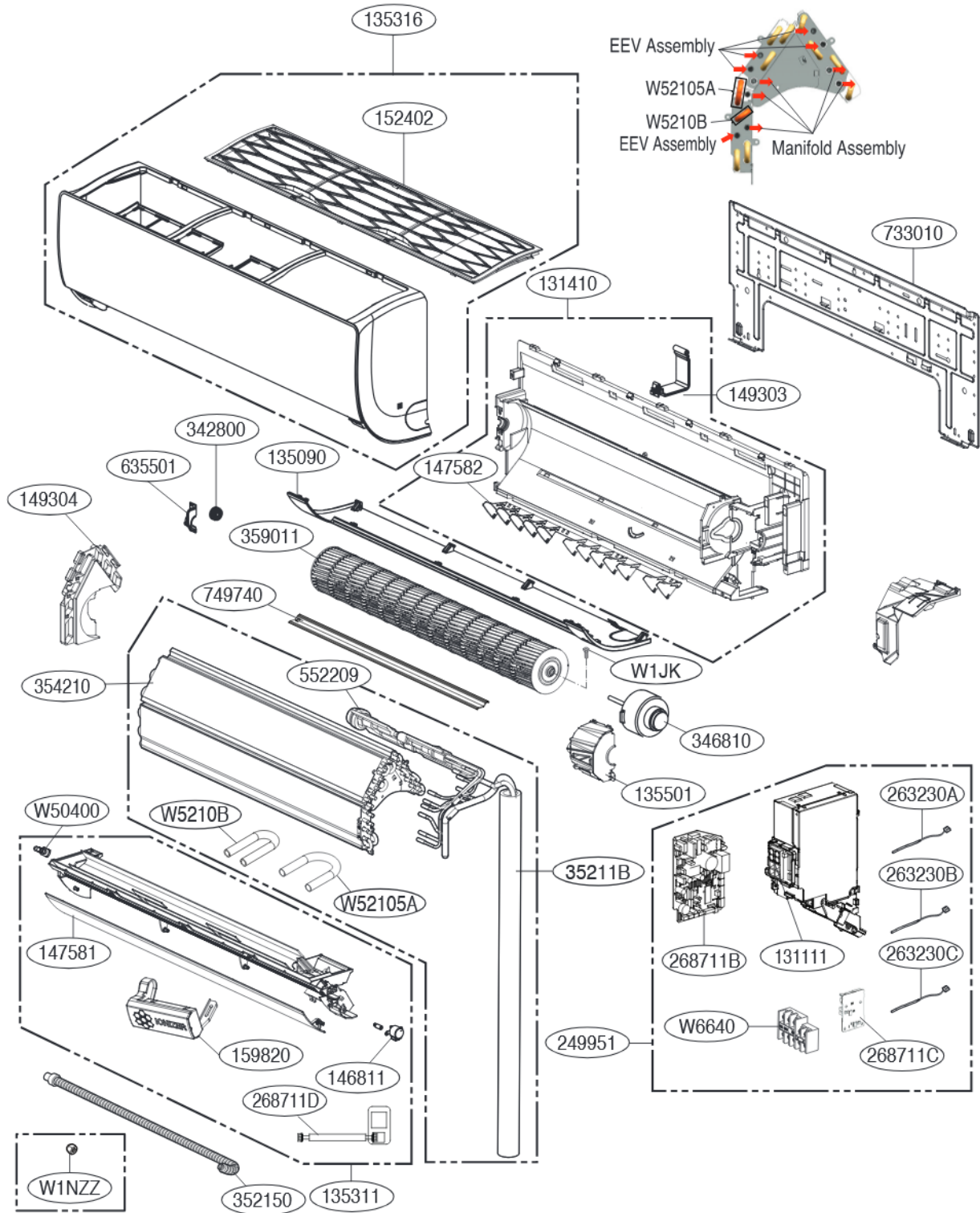


SK Chassis



LOC.	SVC No.	Description	PCB Connector (Color)
Th1	263230A	Thermistor for room air temperature	CH-TH1 (White)
Th2	263230B	Thermistor for pipe in temperature	
Th3	263230C	Thermistor for pipe out temperature	CH-TH2 (Red)

Note) * Please ensure GCSC since the replacement parts may be changed depending upon the buyer's request. Please check the correct parts in View RPL(Replacement Part List) on GCSC. (GCSC Website <http://www.lge.com>)

