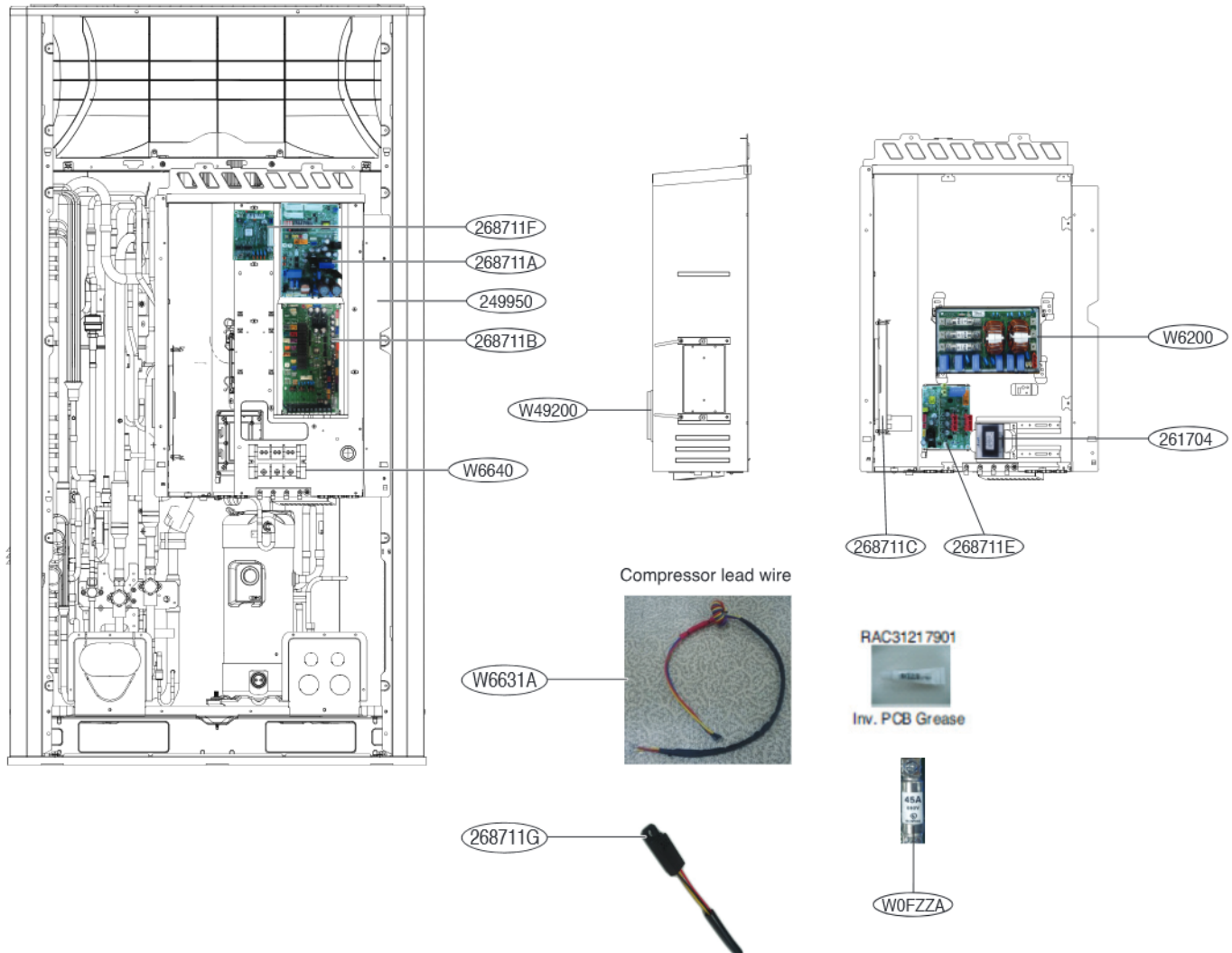


# 6. Exploded View

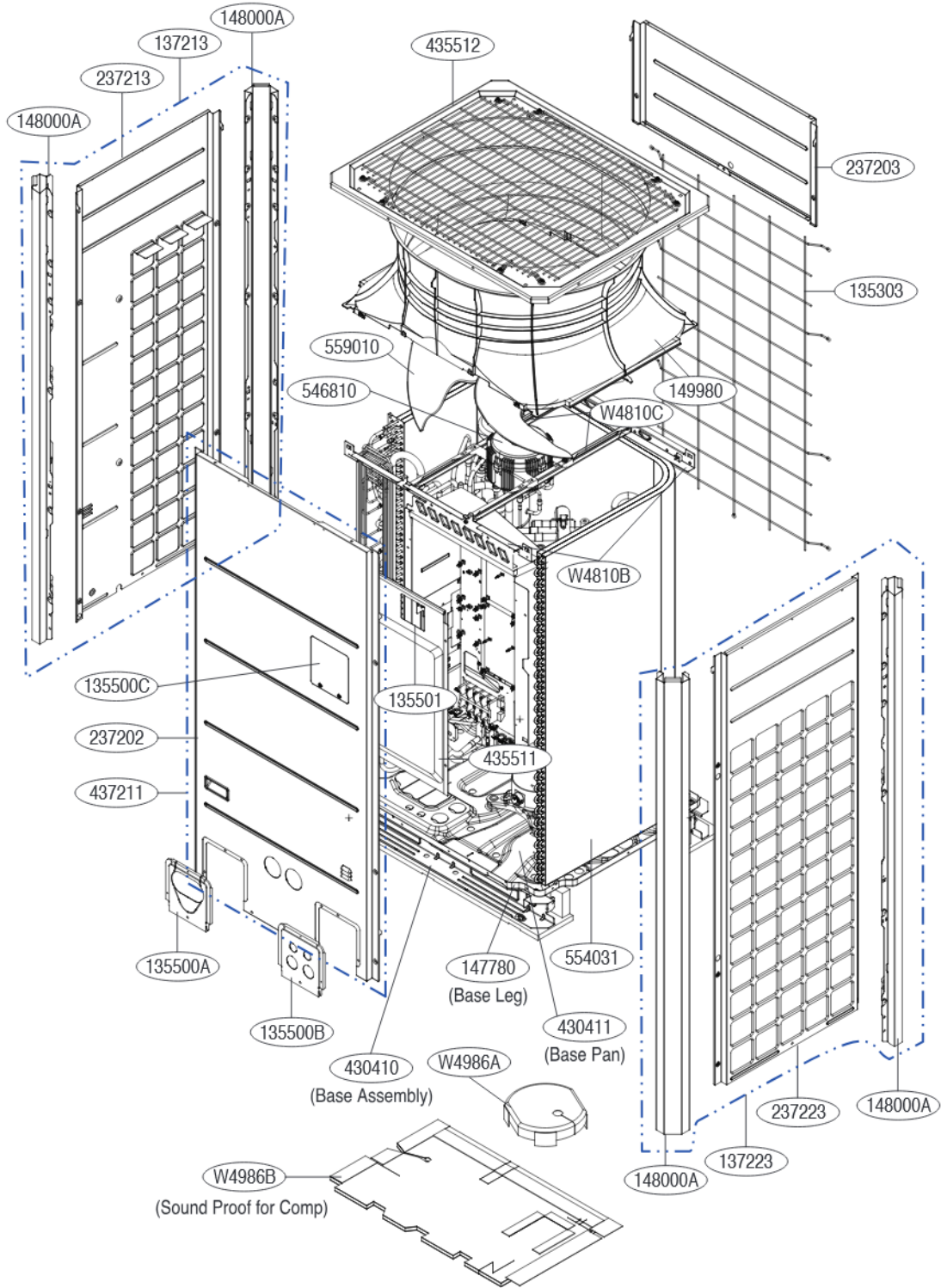
## Outdoor Unit

### 6.1.1 6 Ton (8 HP / UXA)



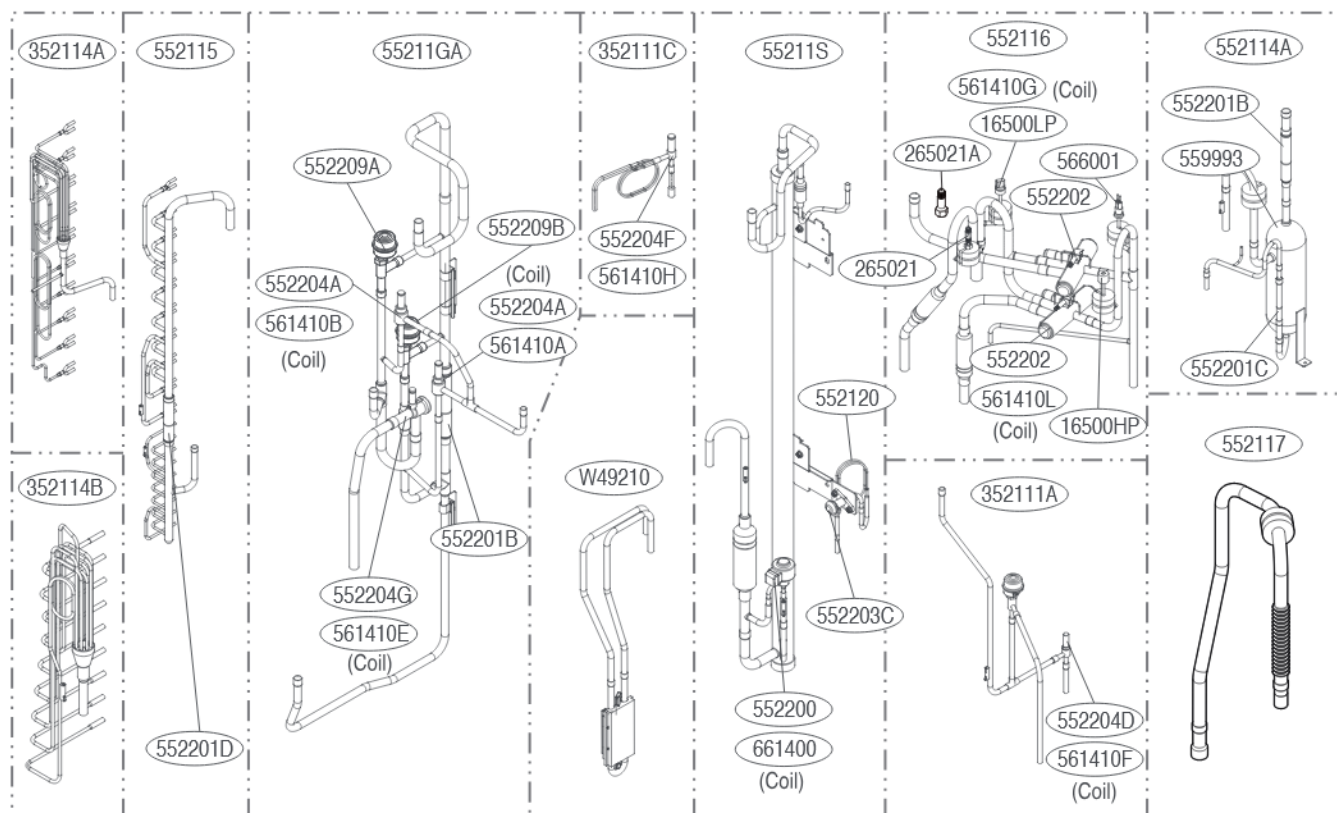
Description	L/No.	Harness Location	Housing Color
Harness,Multi	W6631A	Power Cable (Inv. PCB ↔ Comp )	-
Harness,Single	W6631C	Communication Cable (Main PCB ↔ External PCB)	WH - WH
Harness,Single	W6631D	DC Link (Fan PCB ↔ Inv. PCB)	YL - YL
Harness,Single	W6631E	Communication Cable (Main PCB ↔ External PCB)	BL - BL
Harness,Single	W6631F	Power Cable (Main PCB ↔ External PCB)	WH -WH
Harness,Single	W6631G	Communication Cable (Main PCB ↔ Inv. PCB)	WH - BL
Harness,Single	W6631J	Power Cable (Main PCB ↔ Inv. PCB)	BK - BK
Harness,Multi	W6631K	Communication Cable (Fan PCB ↔ Inv. PCB)	BK - RD -YL
Harness,Single	W6631L	Communication Cable (IDU communication PCB ↔ Main PCB)	WH - WH

(UXA 1 Comp)



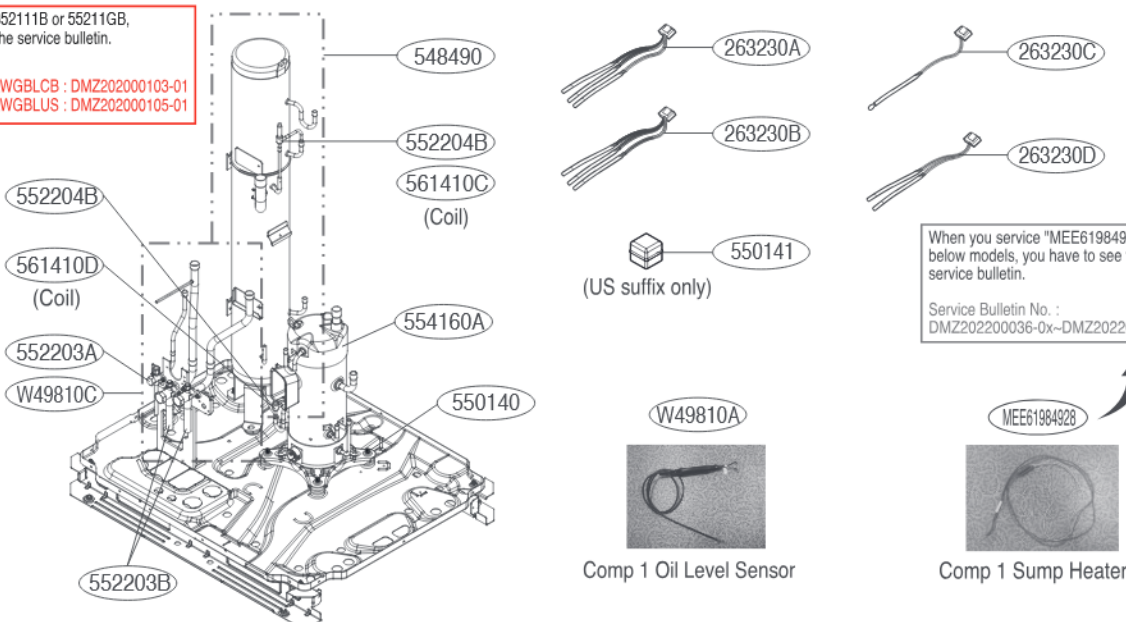
# 6 Ton

※ If the serial number is 008, please check visual and P/No. first, then choose the correct P/No.  
 Service Bulletin No : DMZ202000105-01



※ When you service 352111B or 552111B, you have to check the service bulletin.  
 Service Bulletin No for ARUM072DTE5.AWGBCB : DMZ202000103-01 for ARUM072DTE5.AWGBLUS : DMZ202000105-01

When you service "MEE61984928" in below models, you have to see the service bulletin.  
 Service Bulletin No. : DMZ202200036-0x-DMZ202200122-0x



Comp 1 Oil Level Sensor

Comp 1 Sump Heater

Part	SVC L/No.	Description	Housing color
Temp. Sensor 1	263230A	Air	Green
Temp. Sensor 2	263230B	Suction Pipe + HEX1(Temp. Sensor) + Inv.1 Discharge	Purple
Temp. Sensor 3	263230C	Sub Cool Out + HEX2(Upper Temp. Sensor) + Liquid Pipe	Yellow
Temp. Sensor 4	263230D	HEX3(Low Temp. Sensor) + Sub Cool In	Black

