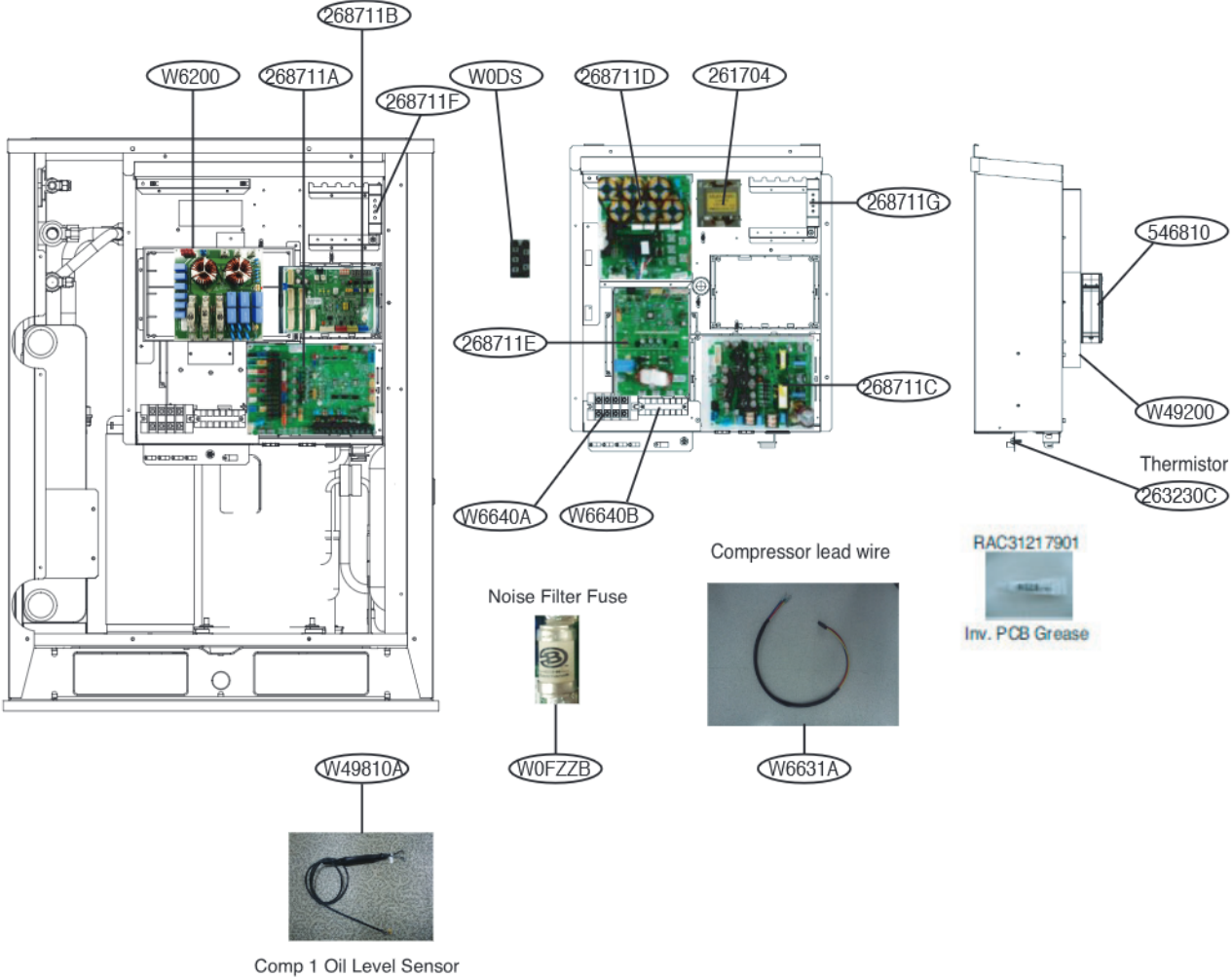


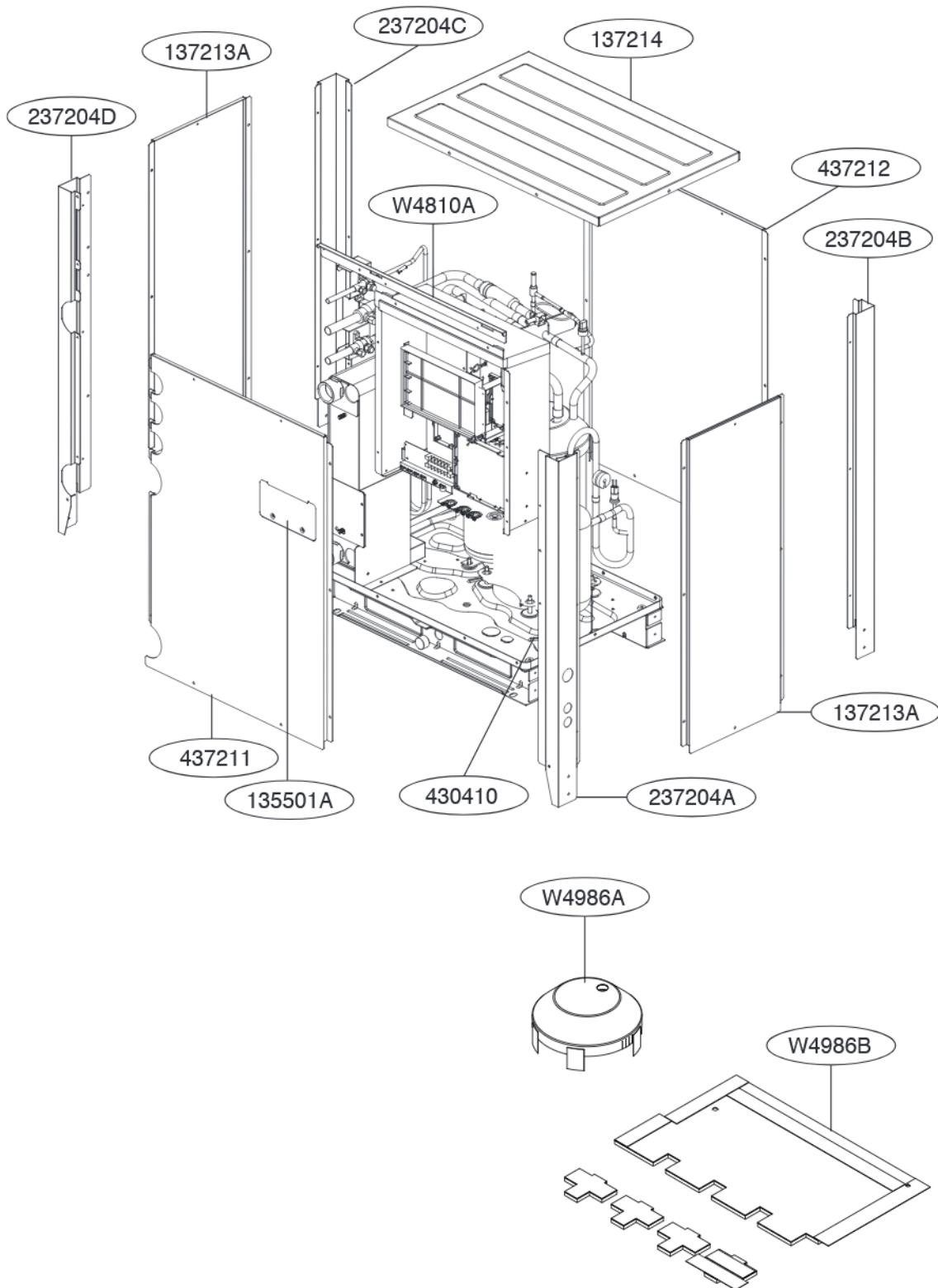
6. Exploded View

Outside Unit

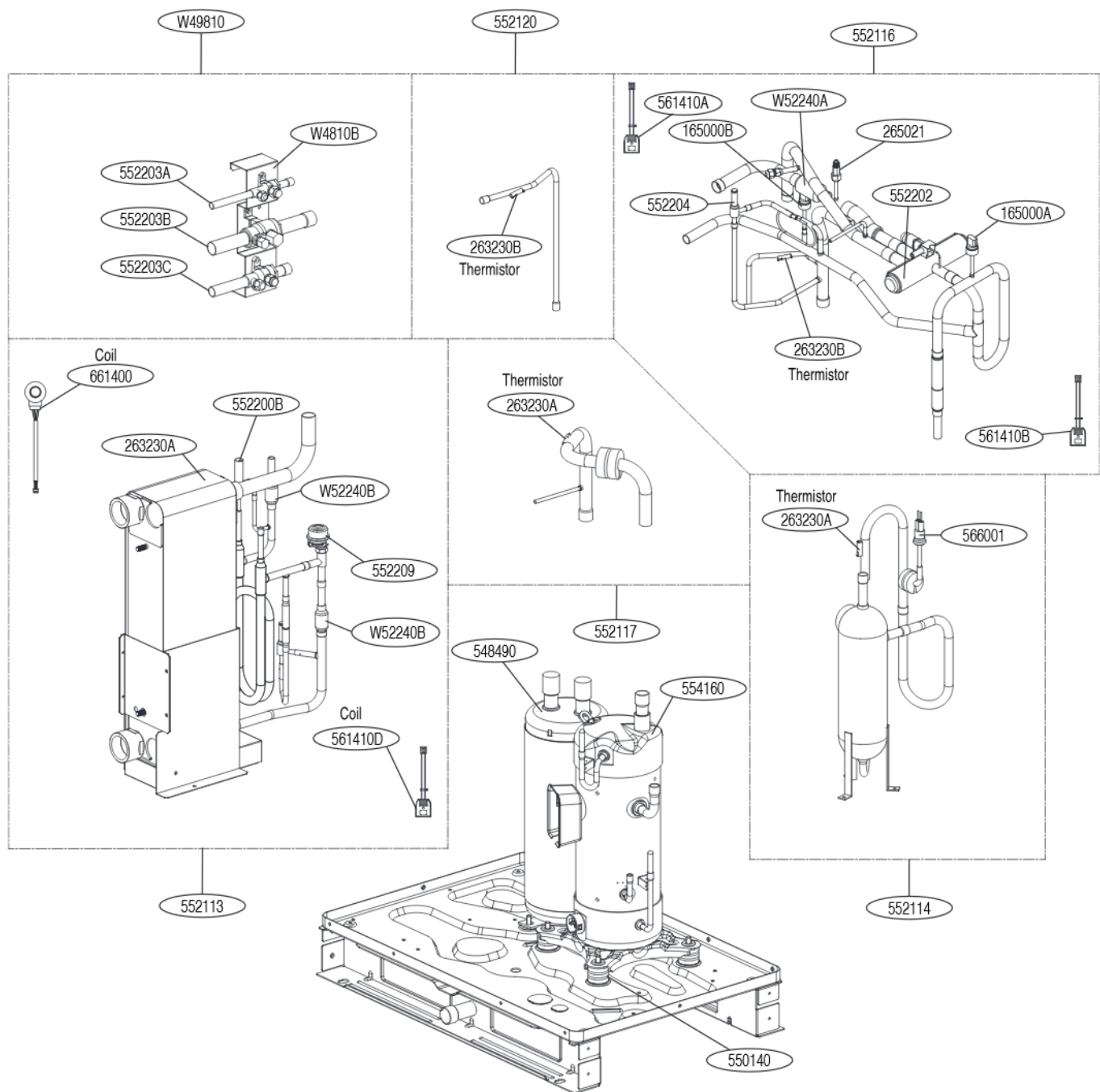
8~14HP(6~12Ton) (Control part)



8~14HP(6~12Ton) (Pannel part)



8~14HP(6~12Ton) (Cycle part)



Part	L/No	Sensor location	Housing color
Temp. Sensor 1	263230A	Inv. Discharge + Suction + Water	purple
Temp. Sensor 2	263230B	Liquid Pipe + Sub-cooler Out	yellow
Temp. Sensor 3	263230C	Air	green