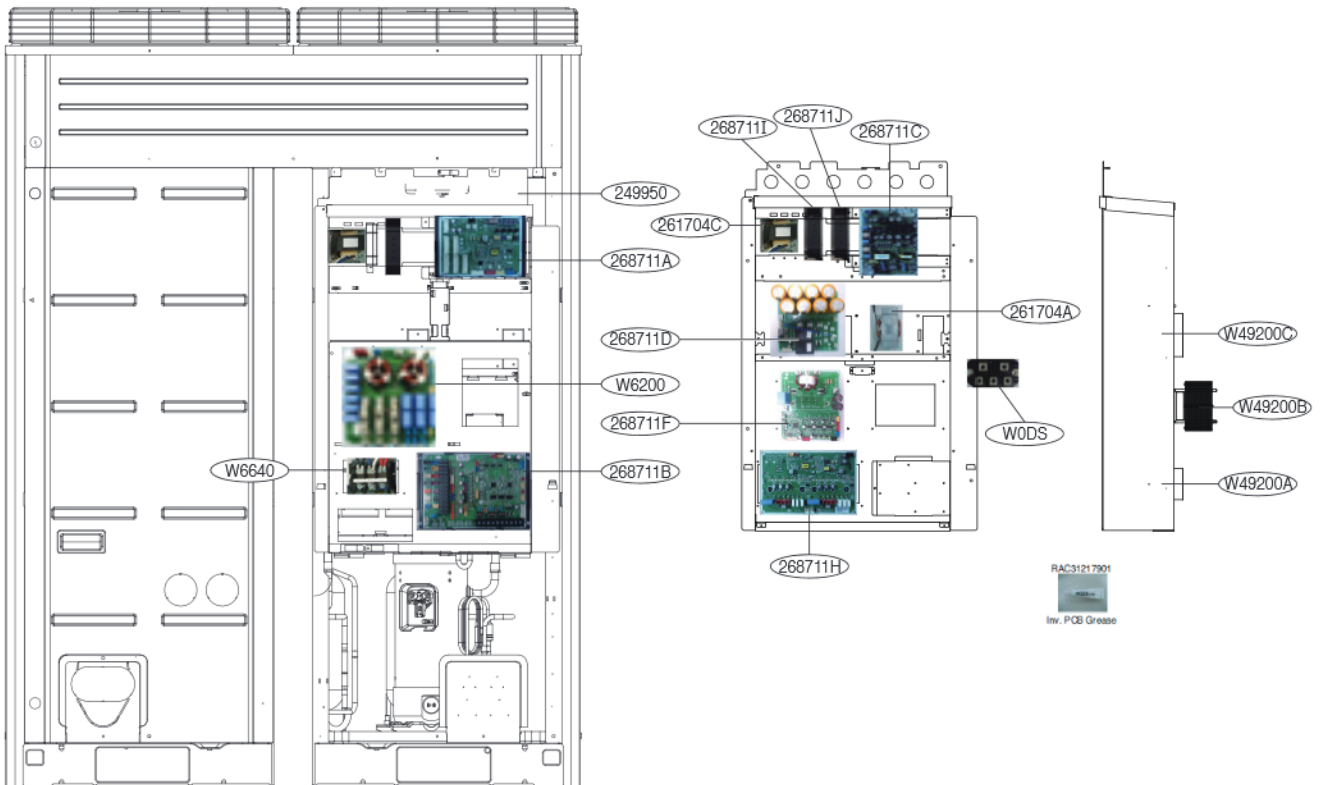


6.2 14,16 HP (UX3 1Comp)



Compressor lead wire



W6631A

Noise filter fuse



W0FZZB

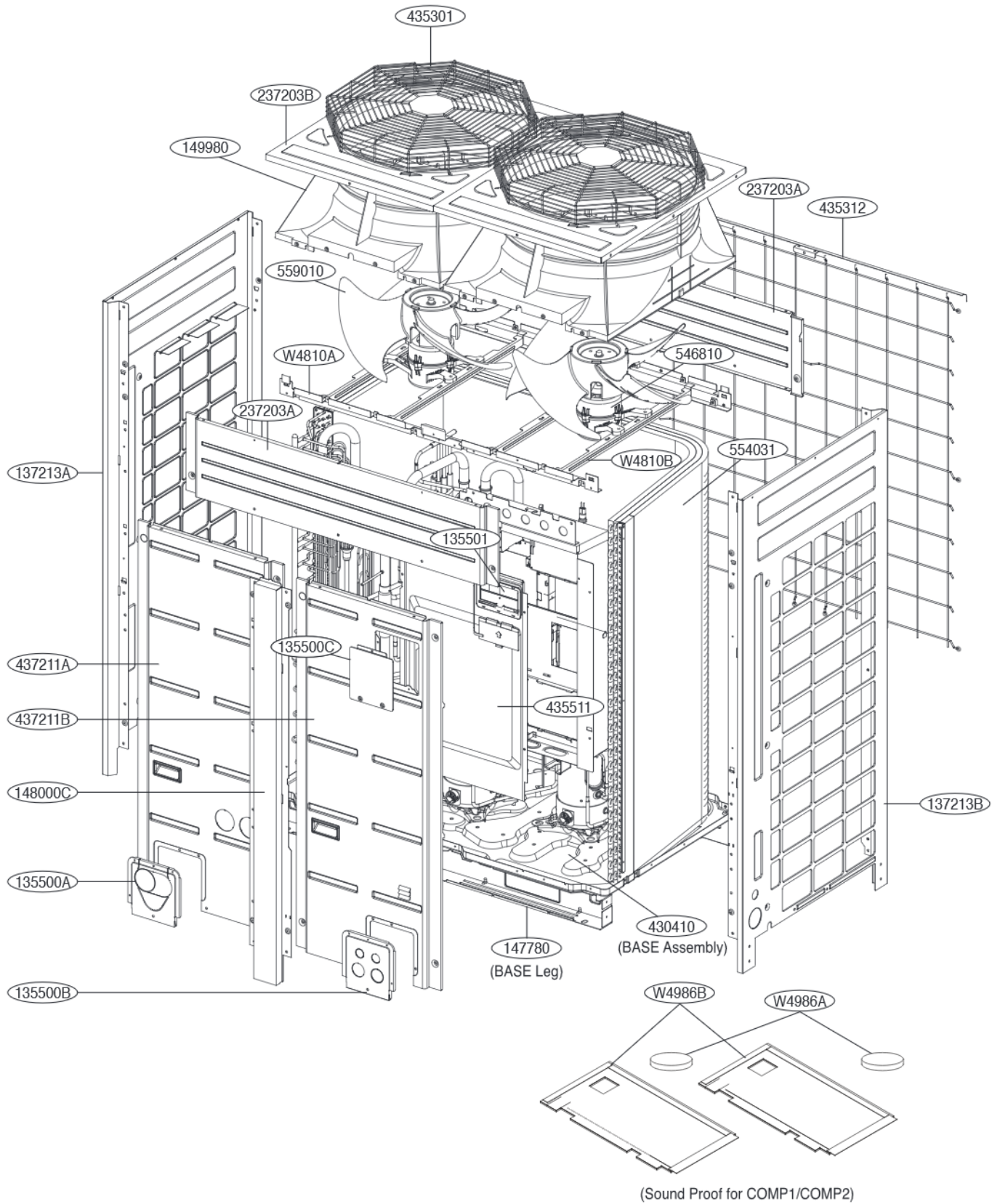
Inv PCB to Fan PCB Harness



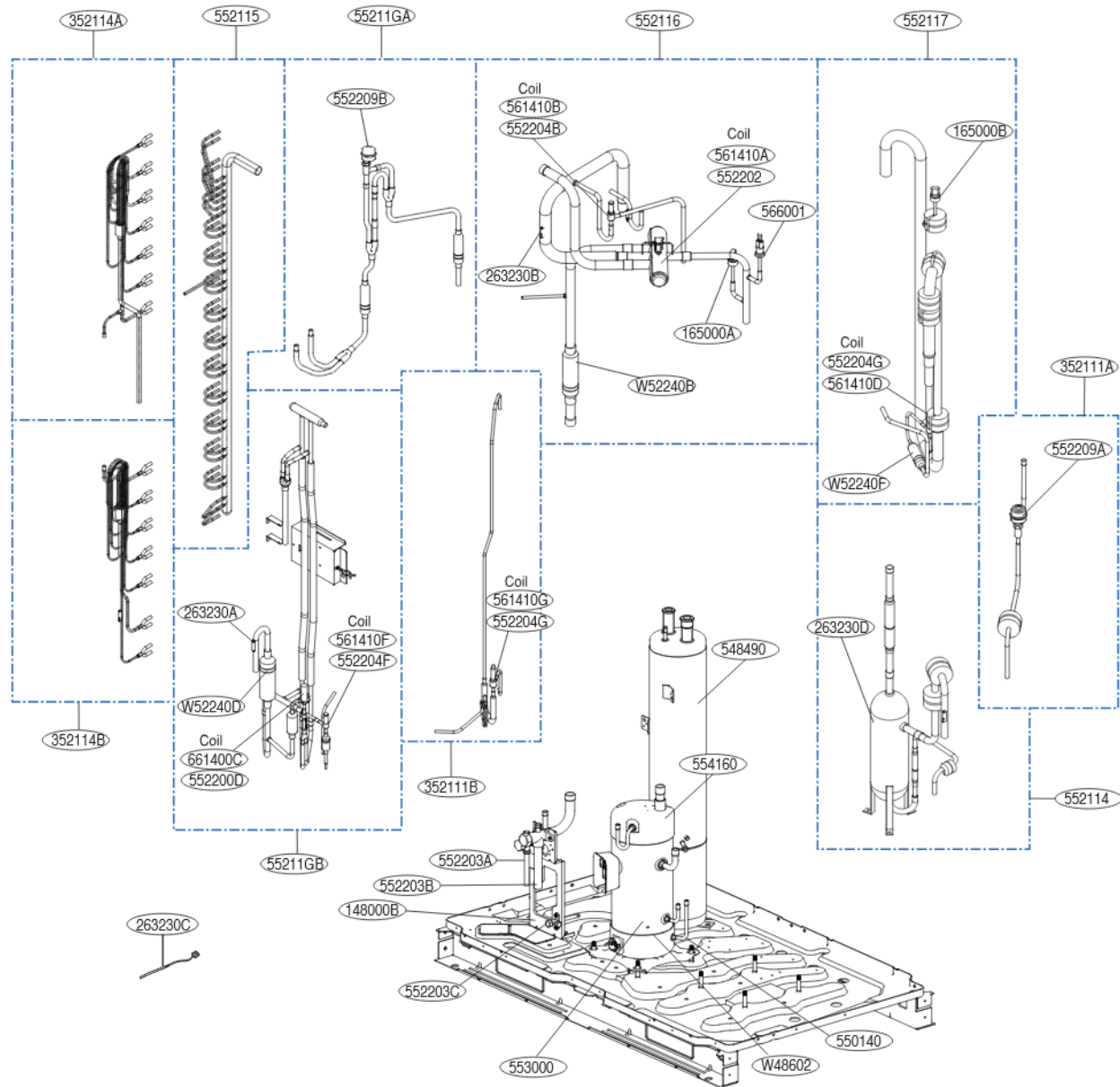
W6631F

Part	SVC Location No.	Description
Noise Filter Fuse(14HP)	W0FZZB	Fuse, Time delay

Exploded view



14,16 HP (UX3 1Comp)



Part	L/No	Sensor location	Housing color
Temp. Sensor 1	263230A	Sub Cool Out + HEX Upper + Liquid Pipe	yellow
Temp. Sensor 2	263230B	Suction Pipe + HEX1 + Inv.1 Discharge	purple
Temp. Sensor 3	263230C	Air	green
Temp. Sensor 4	263230D	Sub Cool In	black

