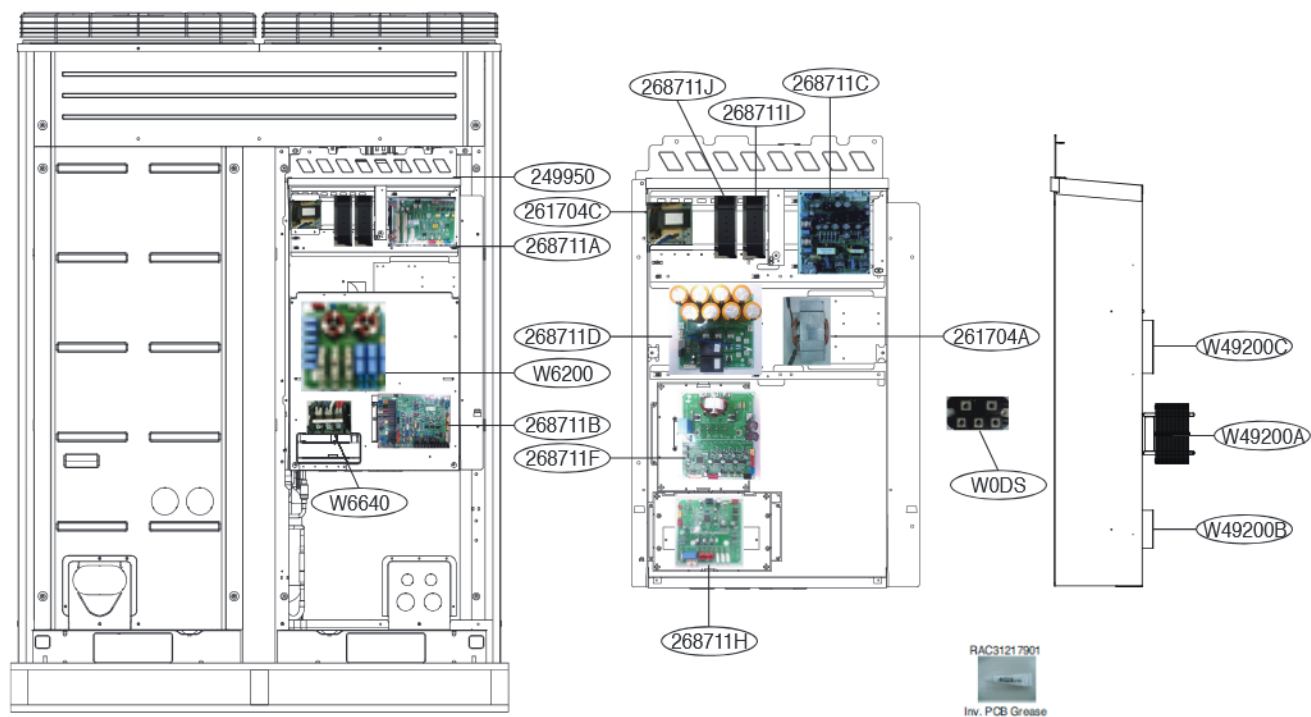


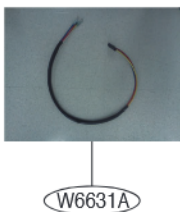
6.1.2 10HP, 12HP (8Ton, 10Ton, UX3 1 Comp)



Noise Filter Fuse



Compressor lead wire



Oil level sensor



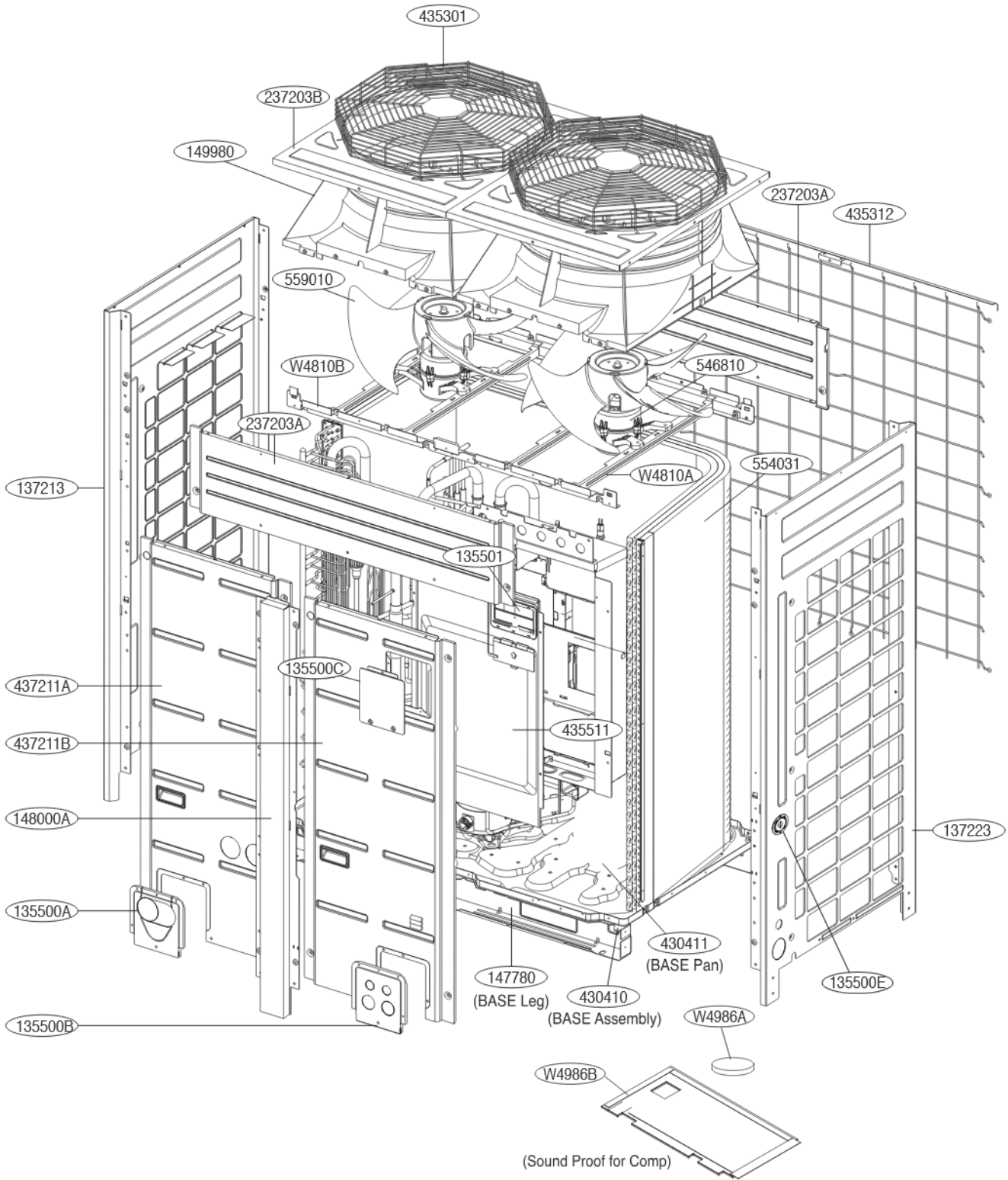
Inv PCB to Fan PCB Harness



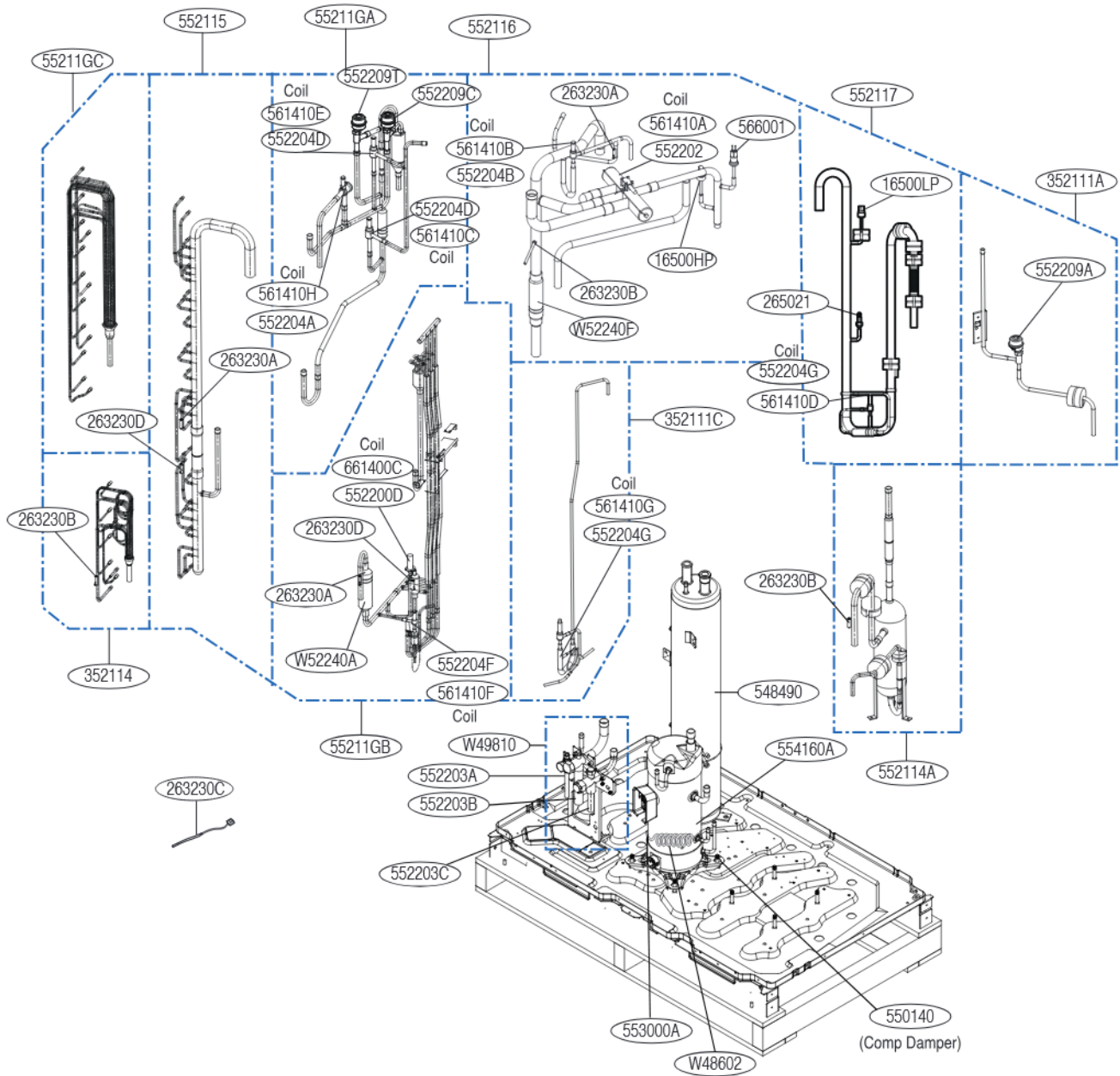
Part	SVC Location NO.	Description
Control Box	249950	Case Assembly,Control(Outdoor)
Main PCB	268711A	PCB Assembly,Main
External PCB	268711B	PCB Assembly
SMPS	268711C	PCB Assembly
Converter PCB	268711D	PCB Assembly,Power
Inverter PCB	268711F	PCB Assembly
Fan PCB	268711H	PCB Assembly
Indoor Communication	268711I	PCB Assembly,Sub
Central Control Unit	268711J	PCB Assembly,Sub
Noise Filter	W6200	Filter,AC Line
Noise Filter Fuse	W0FZZB	Fuse, Time delay

Exploded view

(UX3 1 Comp)



(UX3 1 Comp) ARUB096DTE4.AWGBLUS, ARUB096DTE4.AKM



Part	L/No	Sensor location	Housing color
Temp. Sensor 1	263230A	Sub Cool Out + HEX2(Upper Temp. Sensor) + Liquid Pipe	yellow
Temp. Sensor 2	263230B	Suction Pipe + HEX1(Temp. Sensor) + Inv.1 Discharge	purple
Temp. Sensor 3	263230C	Air	green
Temp. Sensor 4	263230D	HEX3(Low Temp. Sensor) + Sub Cool In	black

