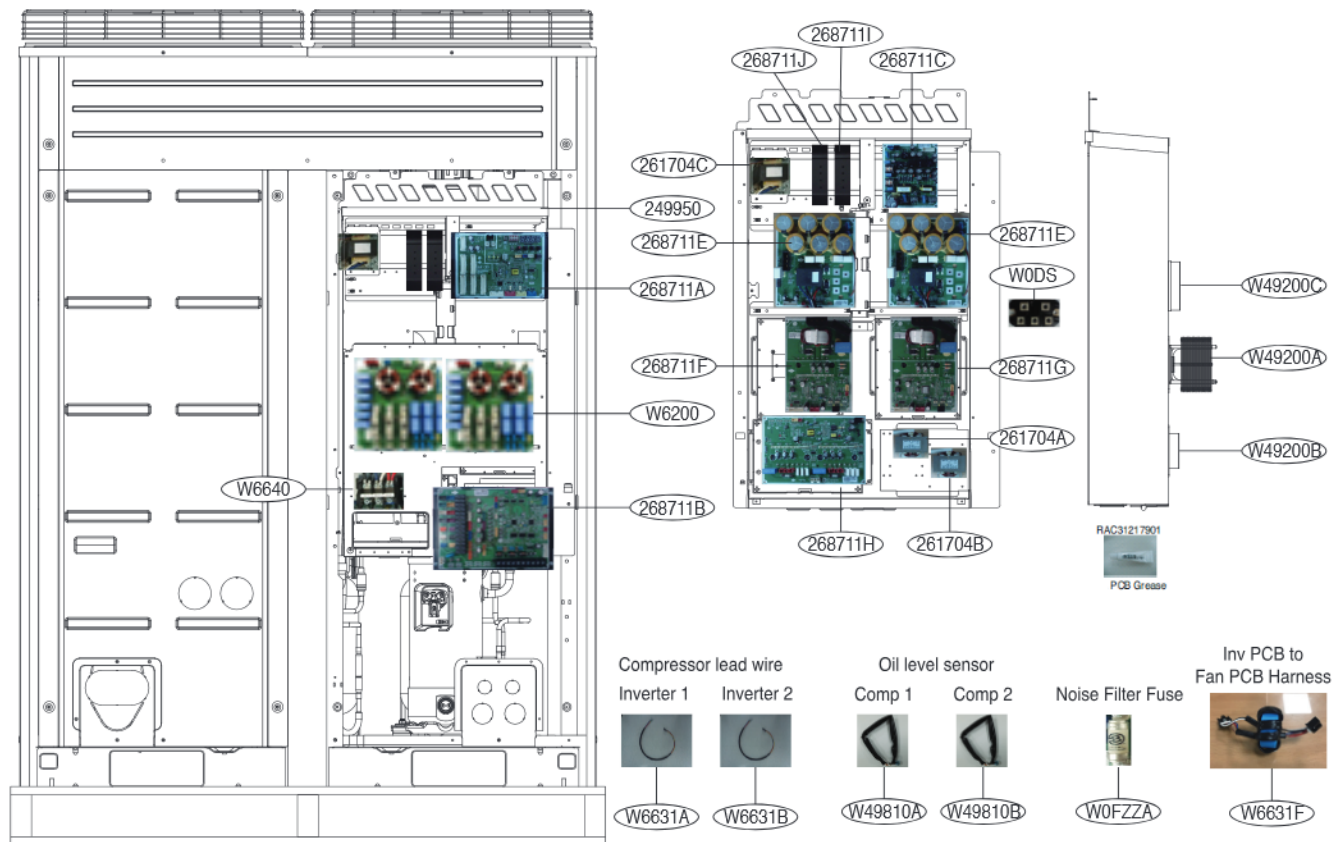


### 6.1.3 14HP,18HP(12TON,14TON, UX3 2 Comp)



Part	SVC Location NO.	Description
Control Box	249950	Case Assembly,Control(Outdoor)
Main PCB	268711A	PCB Assembly,Main
External PCB	268711B	PCB Assembly
SMPS	268711C	PCB Assembly,Power
Converter PCB	268711E	PCB Assembly
Inverter PCB 1	268711F	PCB Assembly
Inverter PCB 2	268711G	PCB Assembly
Fan PCB	268711H	PCB Assembly
Indoor Communication	268711I	PCB Assembly,Sub
Central Control Unit	268711J	PCB Assembly,Sub
Noise Filter	W6200	Filter,AC Line
Noise Filter Fuse	W0FZZA	Fuse, Time delay

Exploded view

