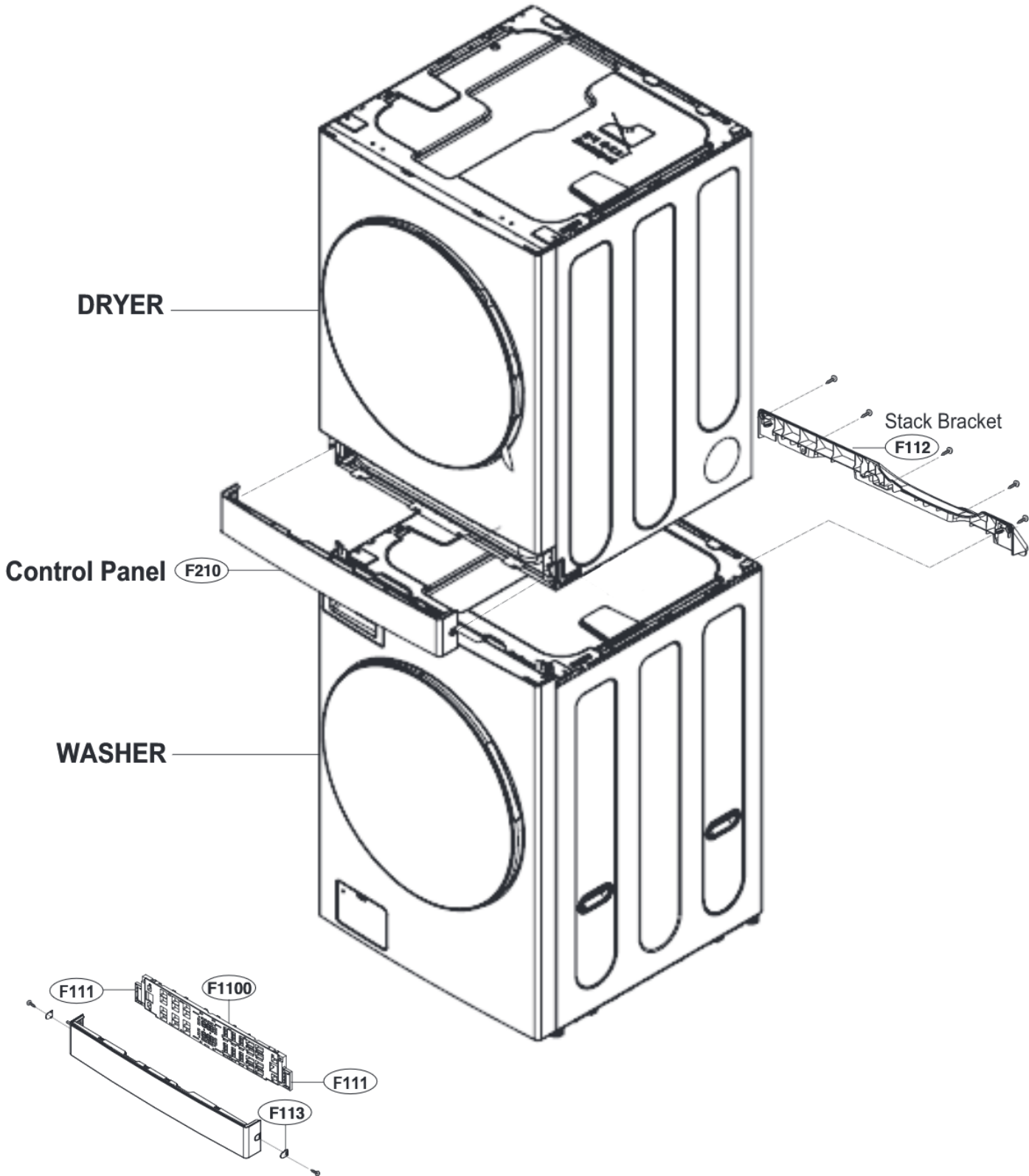


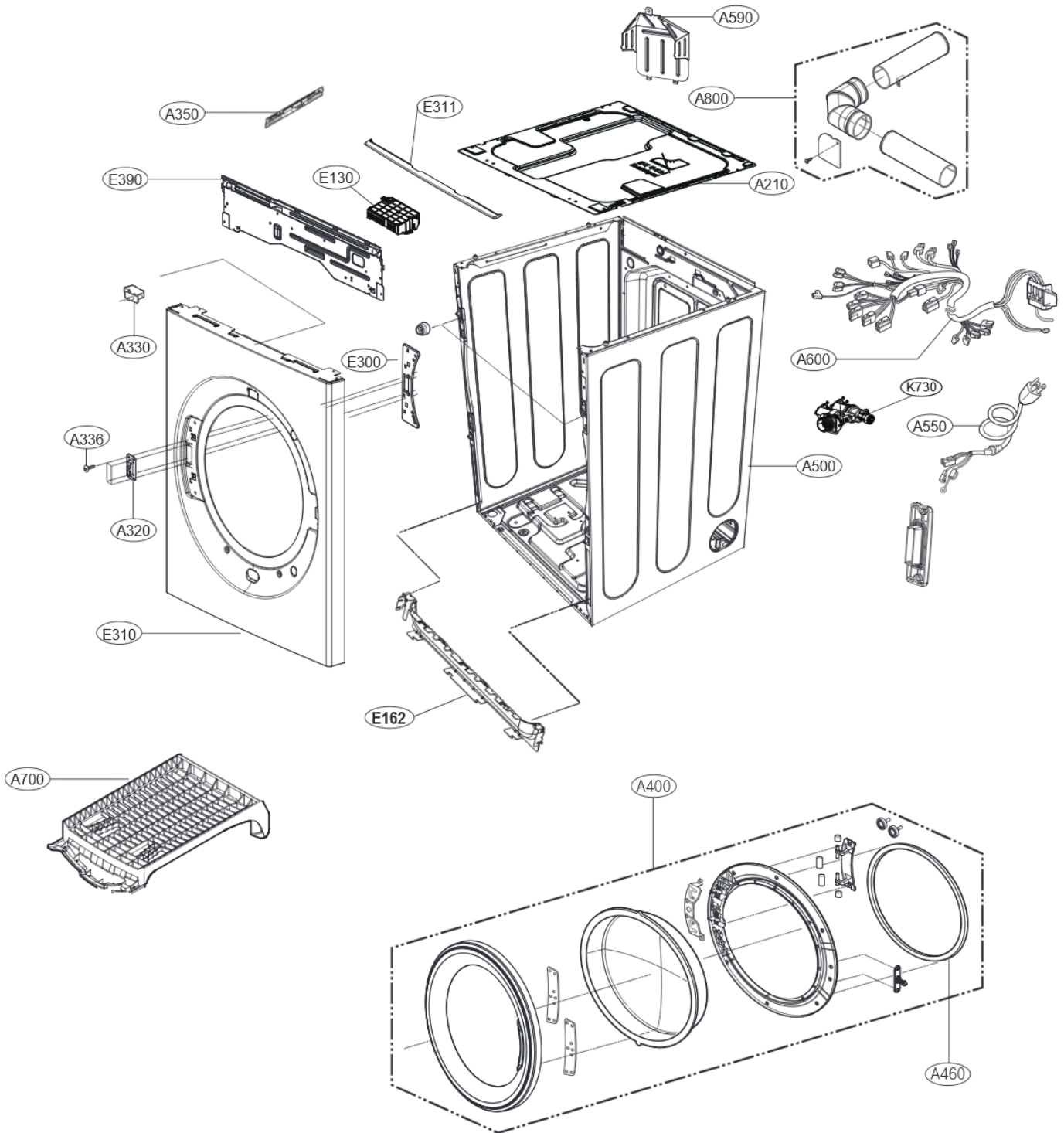
# 11. EXPLODED VIEW

## FULL ASSEMBLY (WASHER & DRYER)



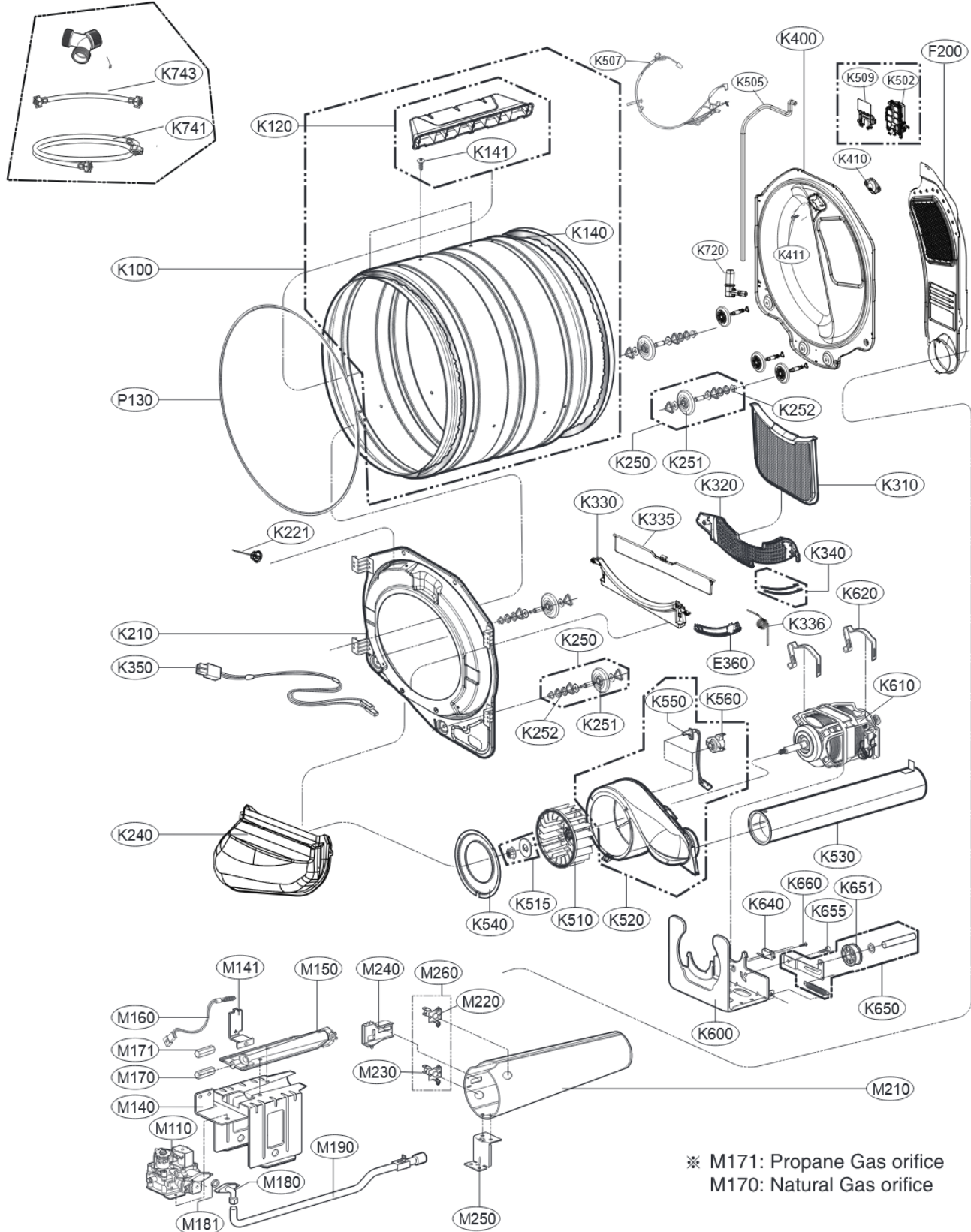
# EXPLODED VIEW - DRYER

## 11-2. Cabinet and Door Assembly: Gas Type



# EXPLODED VIEW - DRYER

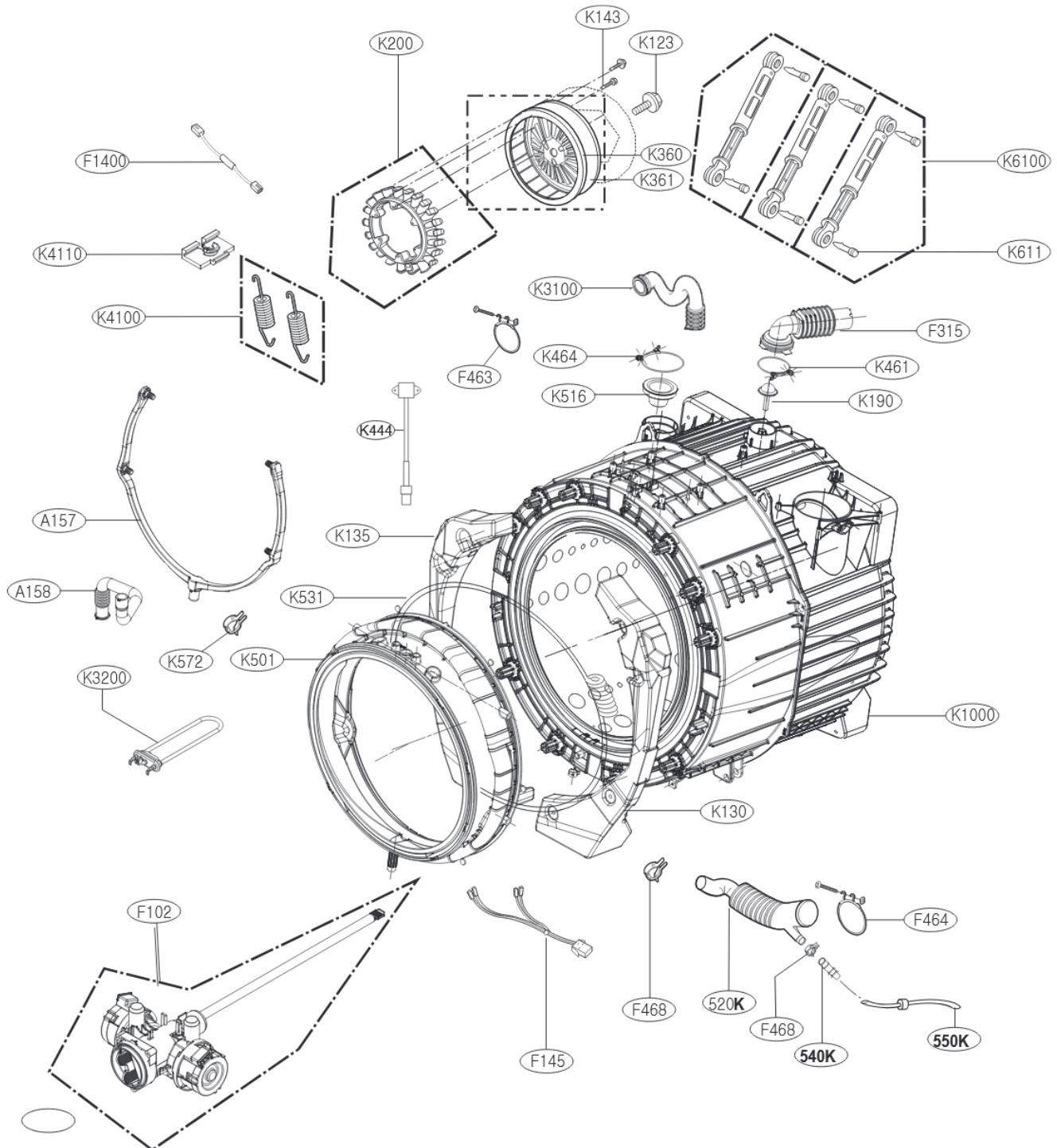
## 11-4. Drum and Motor Assembly: Gas Type





# EXPLODED VIEW - WASHER

## 11-6. Drum and Motor Assembly: Washer



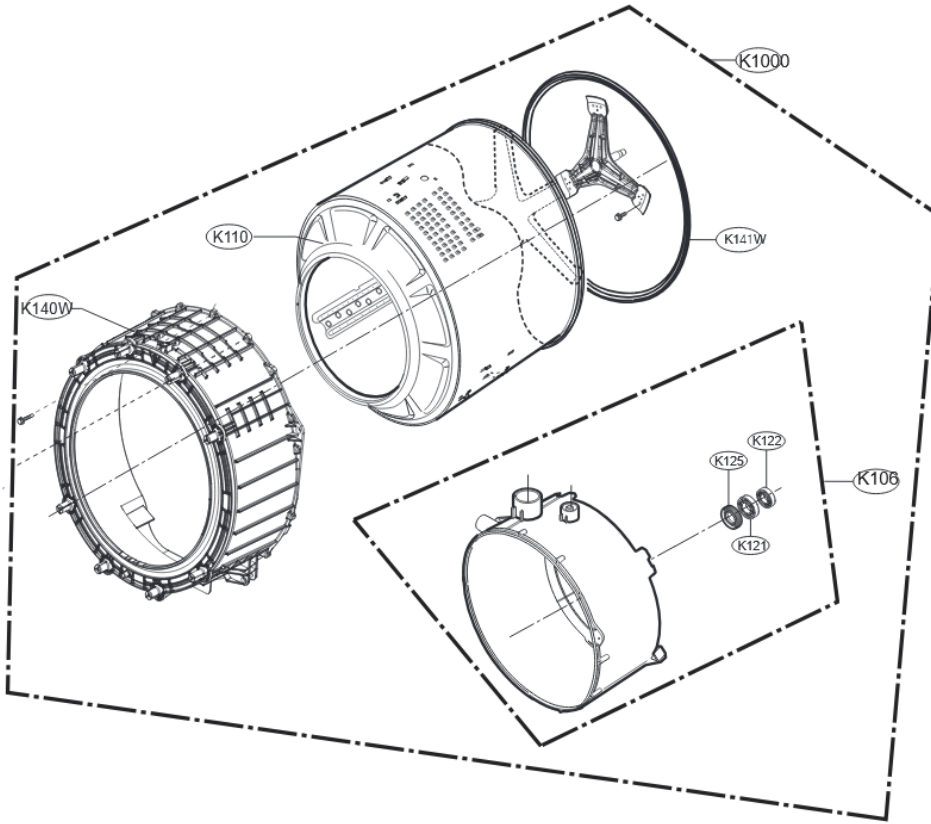
※ In case of replacing THERMISTOR of HEATER ASSEMBLY (K3200), replace HEATER ASSEMBLY (K3200), HEATER ASSEMBLY (K3200) includes THERMISTOR.

※ In case of replacing BEARING, BALL (K121, K122) and GASKET (K125), replace TUB ASSEMBLY, OUTER (K105), TUB ASSEMBLY, OUTER (K105) includes BEARING, BALL (K121, K122) and GASKET (K125).

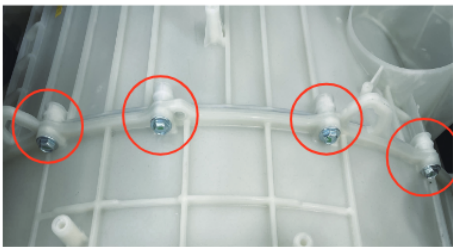
※ Part Assembly (K142) includes 10 screws.

# DRUM & TUB ASSEMBLY

\* Tub Assembly Bolt type K1000



\* Please refer to the picture below and check the Tub tightening type before proceeding with the service.



Bolt type



Welding type

# EXPLODED VIEW - WASHER

## 11-7. DISPENSER / CONTROL PANEL ASSEMBLY

