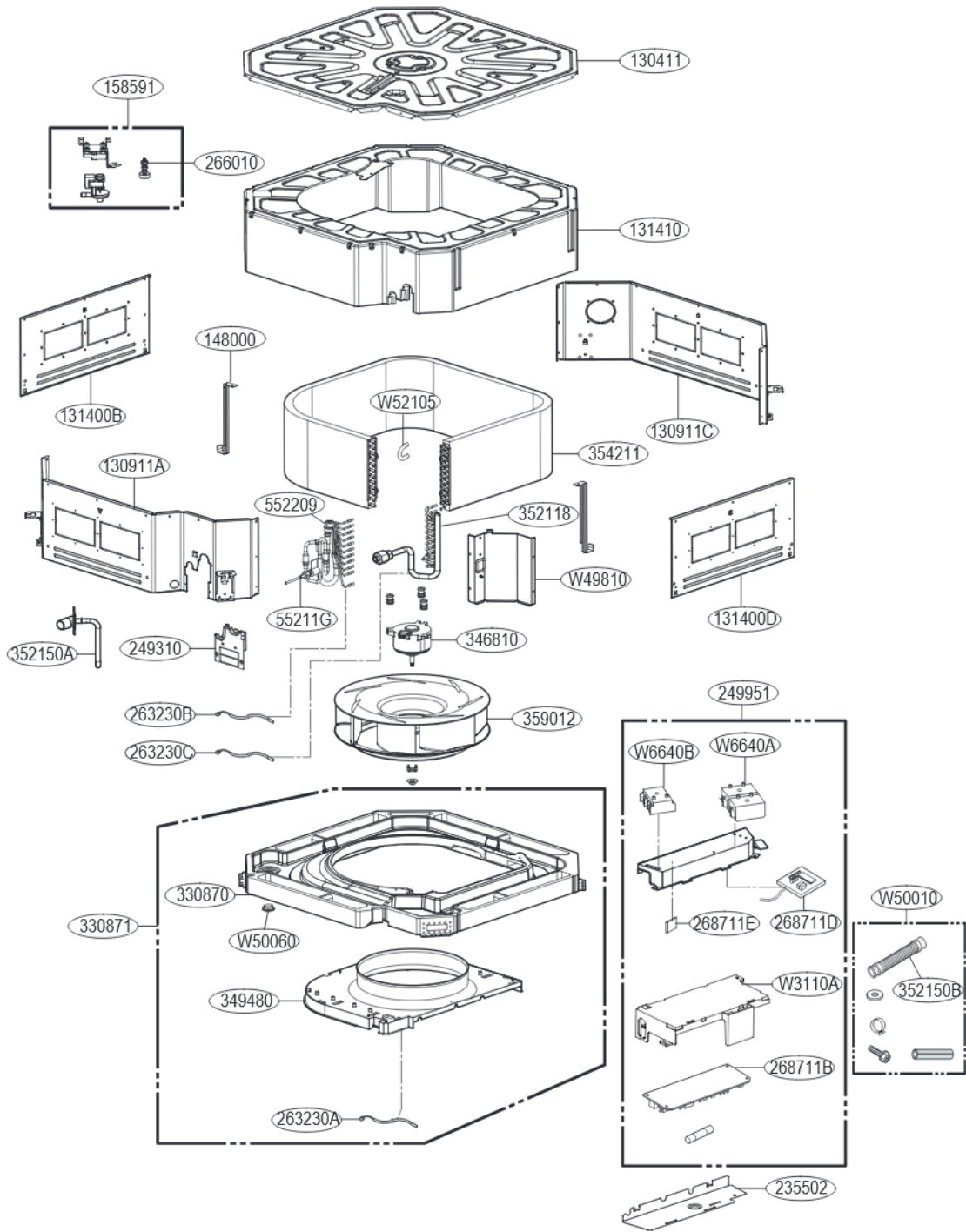


TM, TN, TP Chassis (Plasma Model)



LOC.	SVC No.	Description	PCB Connector (Color)
Th1	263230A	Thermistor for room air temperature	CN-ROOM (Yellow)
Th2	263230B	Thermistor for pipe in temperature	CN-PIPE_IN (White)
Th3	263230C	Thermistor for pipe out temperature	CN-PIPE_OUT (Red)

NOTE

• Please ensure GCSC since the replacement parts may be changed depending upon the buyer's request. Please check the correct parts in View RPL (Replacement Part List) on GCSC. (GCSC Website <http://biz.Lgservice.com>)