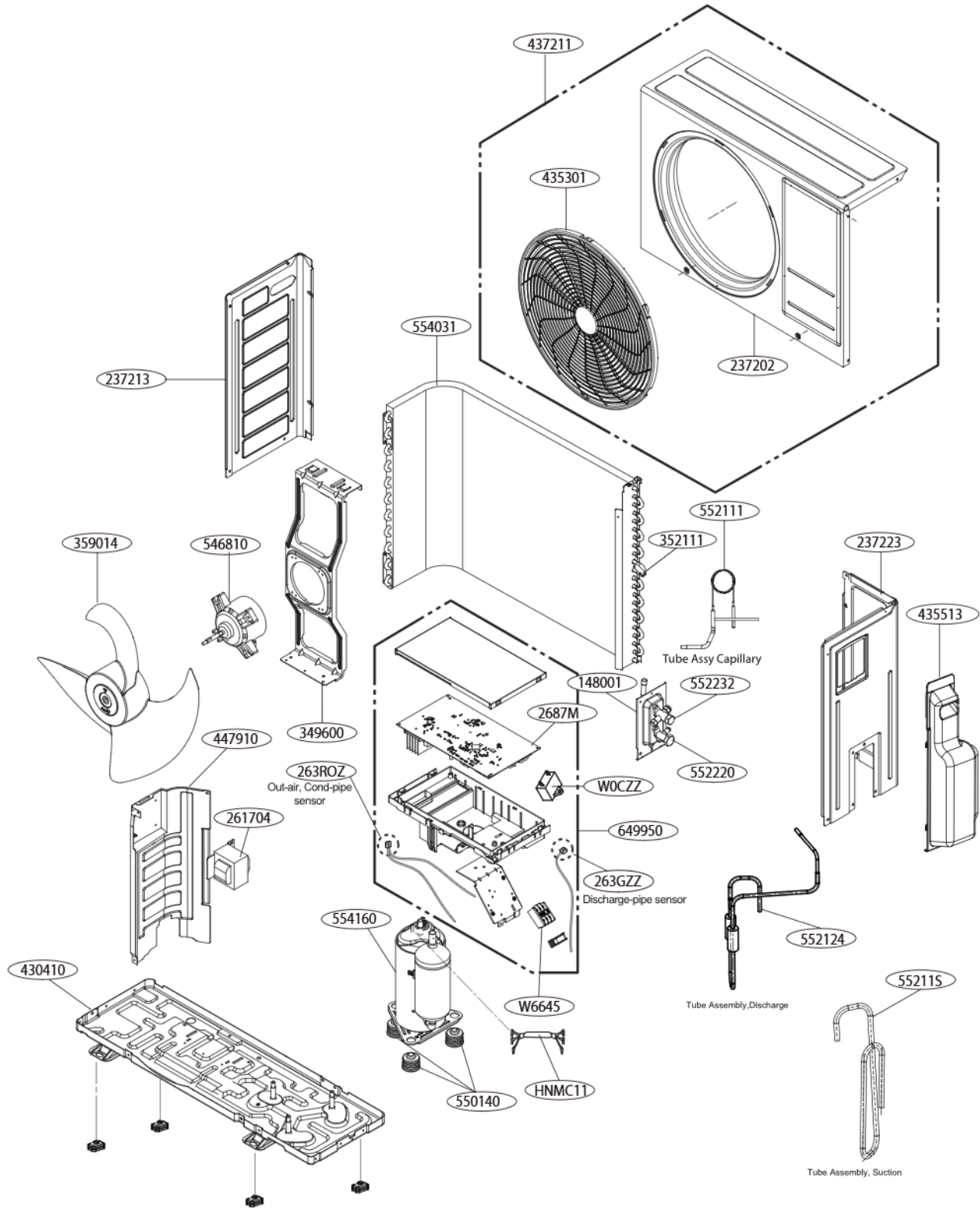


# Outdoor Unit



LOC.	Description	PCB Connector
263ROZ	Thermistor for condensing temperature	CN-TH1 (OUTDOOR)
	Thermistor for outdoor air temperature	
263GZZ	Thermistor for discharge pipe temperature	CN-TH2 (OUTDOOR)

