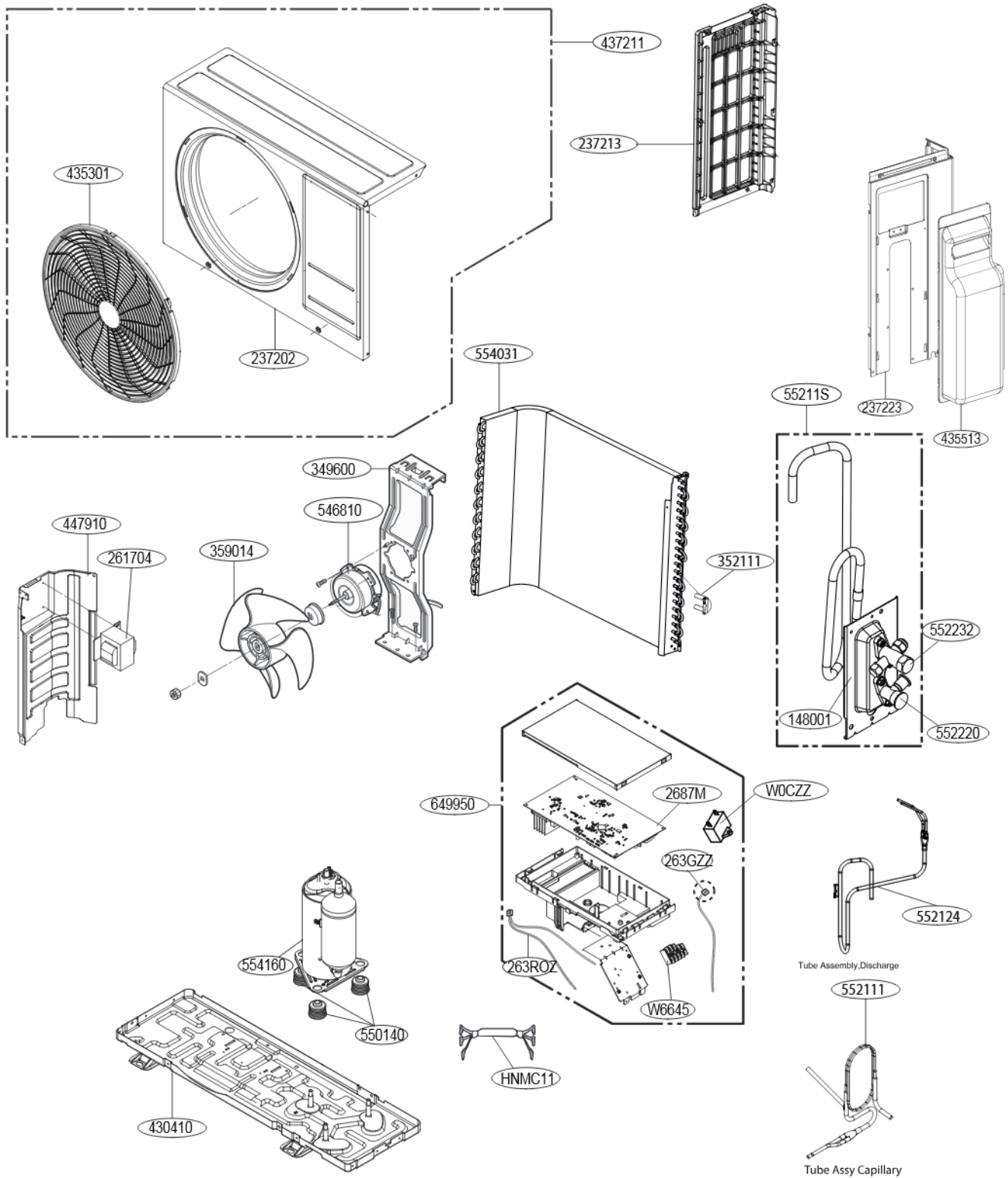


Outdoor Unit



| LOC. | Description | PCB Connector |
|--------|---|------------------|
| 263ROZ | Thermistor for condensing temperature | CN-TH1 (OUTDOOR) |
| | Thermistor for outdoor air temperature | |
| 263GZZ | Thermistor for discharge pipe temperature | CN-TH2 (OUTDOOR) |

