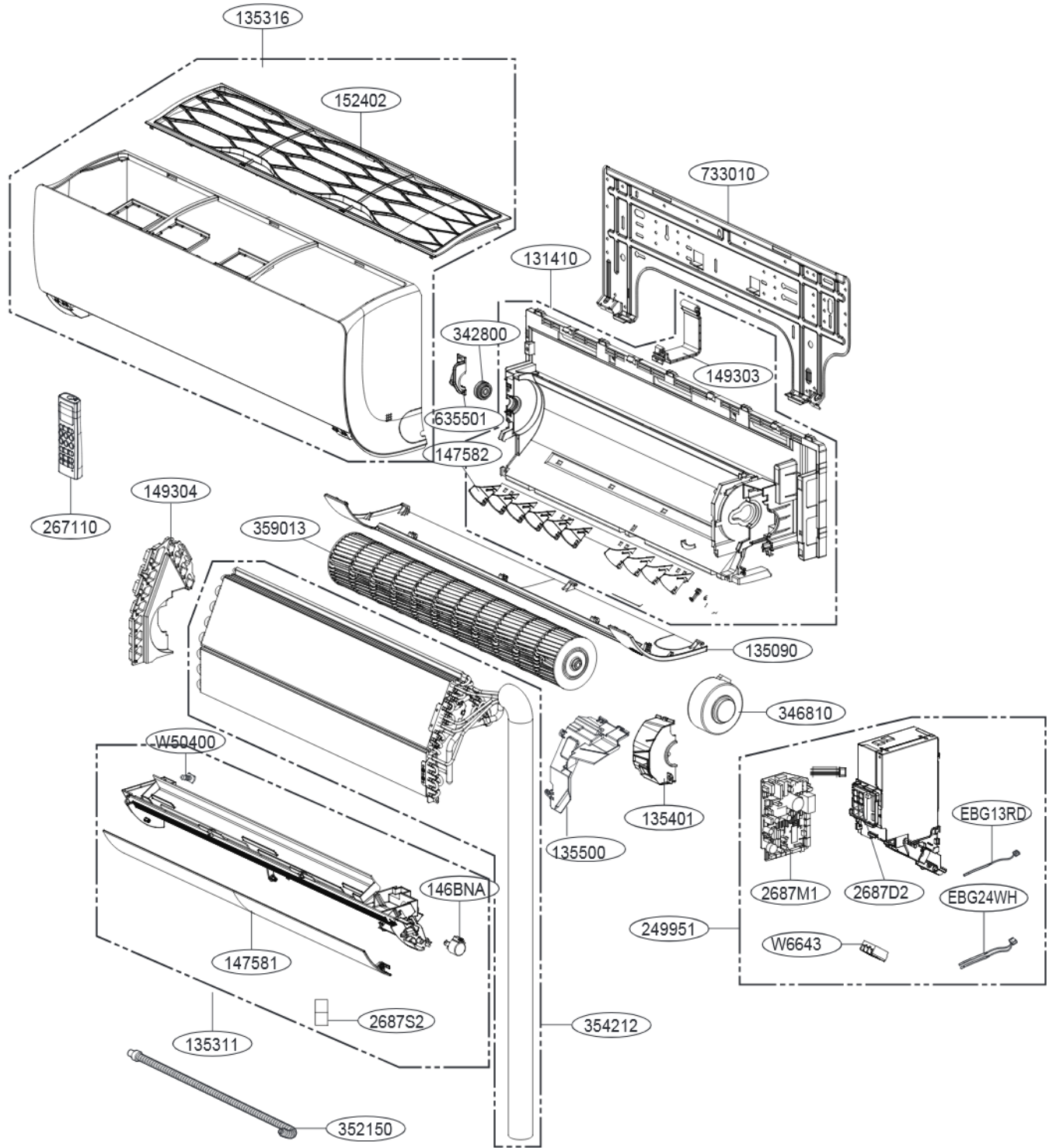


# Indoor Unit

AMNQ09GSJAA/AMNQ12GSJAA



LOC.	Description	PCB Connector
EBG24WH	Thermistor for indoor air temperature	CN_TH1(WH)
	Thermistor for evaporator inlet temperature	
EBG13RD	Thermistor for evaporator outlet temperature	CN_TH2(RD)

