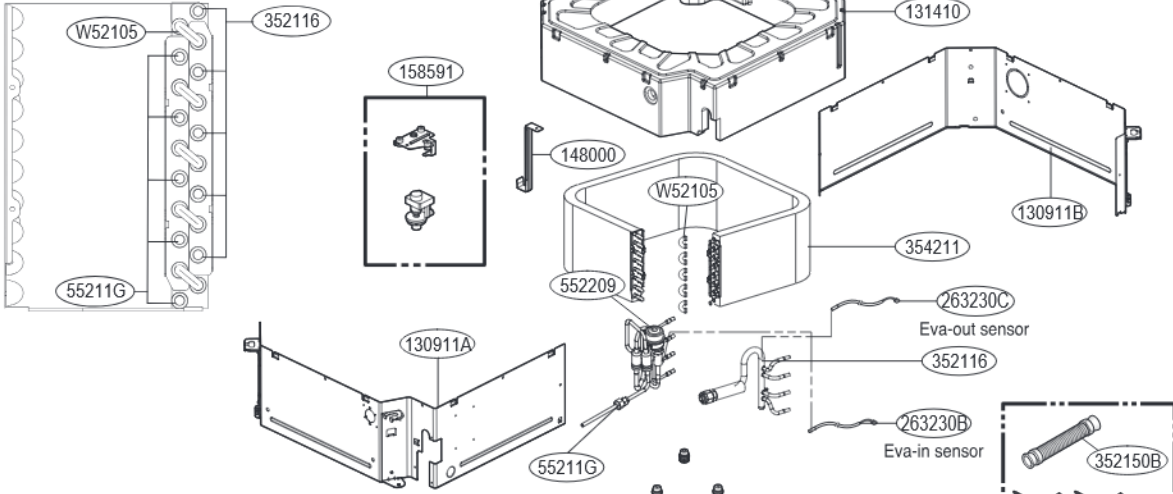


TR / TQ Chassis (Standard Model)

9~21kBtu Model (Suffix : ANWBASE)

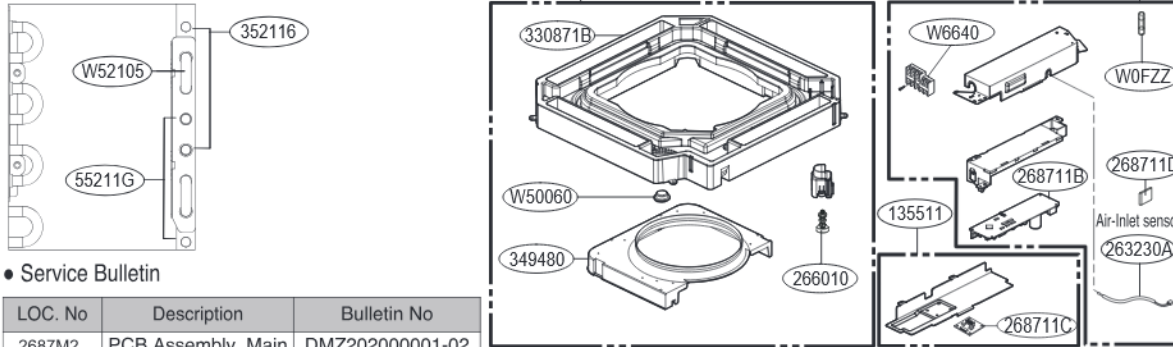
● Evaporator Assembly Required part
(15~21kBtu Model)

Description	SVC Loc	Q'ty
Evaporator Assembly,Bending	354211	1
Tube,Return Bending	W52105	5
Tube Assembly,Expansion	55211G	1
Tube Assembly,Evaporator(Out)	352116	1



● Evaporator Assembly Required part
(9, 12kBtu Model)

Description	SVC Loc	Q'ty
Evaporator Assembly,Bending	354211	1
Tube,Return Bending	W52105	4
Tube Assembly,Expansion	55211G	1
Tube Assembly,Evaporator(Out)	352116	1



● Service Bulletin

LOC. No	Description	Bulletin No
2687M2	PCB Assembly, Main	DMZ20200001-02

LOC.	SVC No.	Description	PCB Connector (Color)
Th1	263230A	Thermistor for room air temperature	CN_ROOM (Yellow)
Th2	263230B	Thermistor for pipe in temperature	CN_PIPE_IN (White)
Th3	263230C	Thermistor for pipe out temperature	CN_PIPE_OUT (Red)