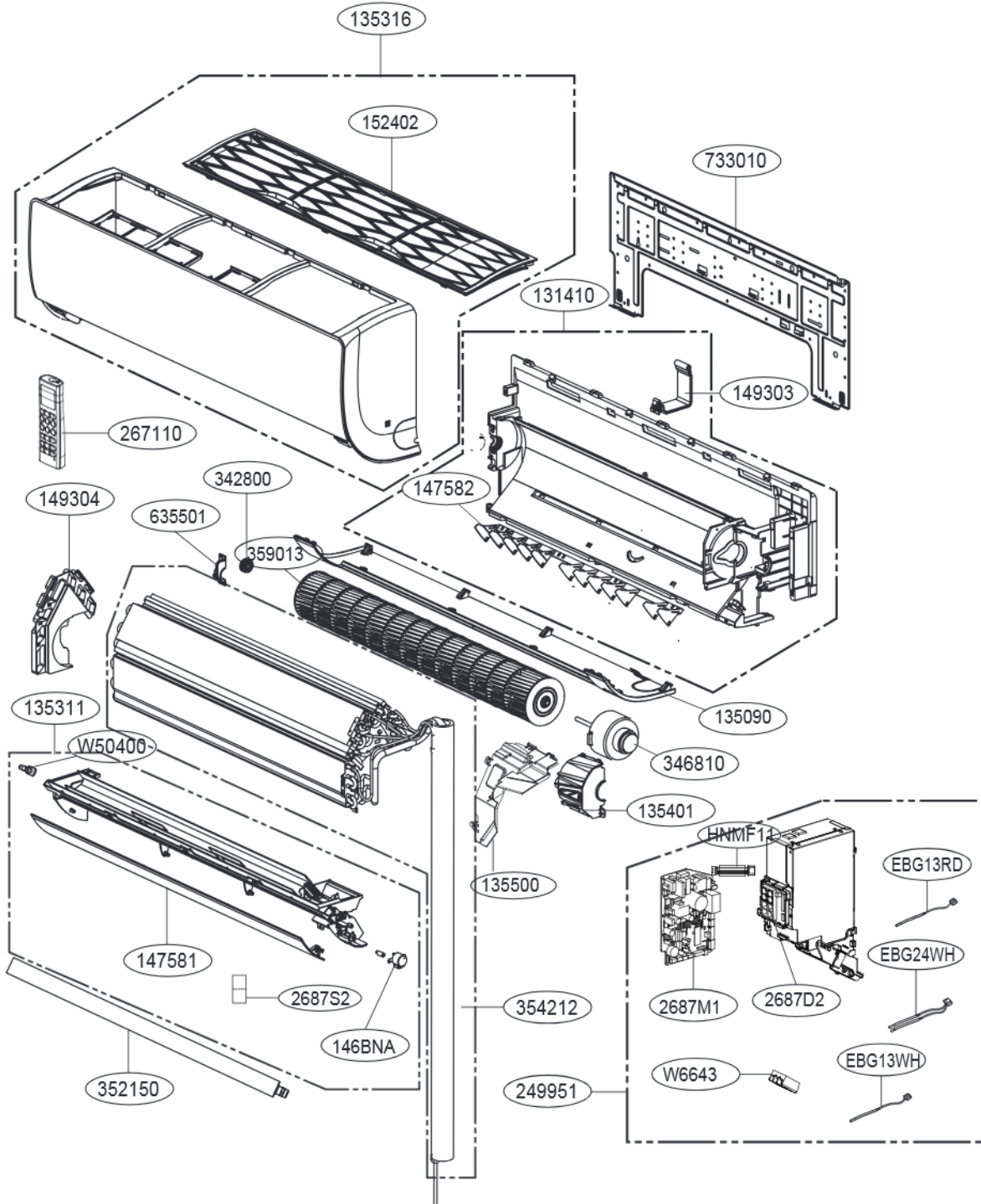


Indoor Unit

AMNW18GSKA0, AMNW24GSKA0, AMNW18GSKAA, AMNW24GSKAA



LOC.	Description	PCB Connector
EBG24WH	Thermistor for indoor air temperature	CN-TH1 (INDOOR)
	Thermistor for evaporator inlet temperature	CN-TH1 (INDOOR)
EBG13WH	Thermistor for evaporator middle temperature	CN-TH3 (INDOOR)
EBG13RD	Thermistor for evaporator outlet temperature	CN-TH2 (INDOOR)

