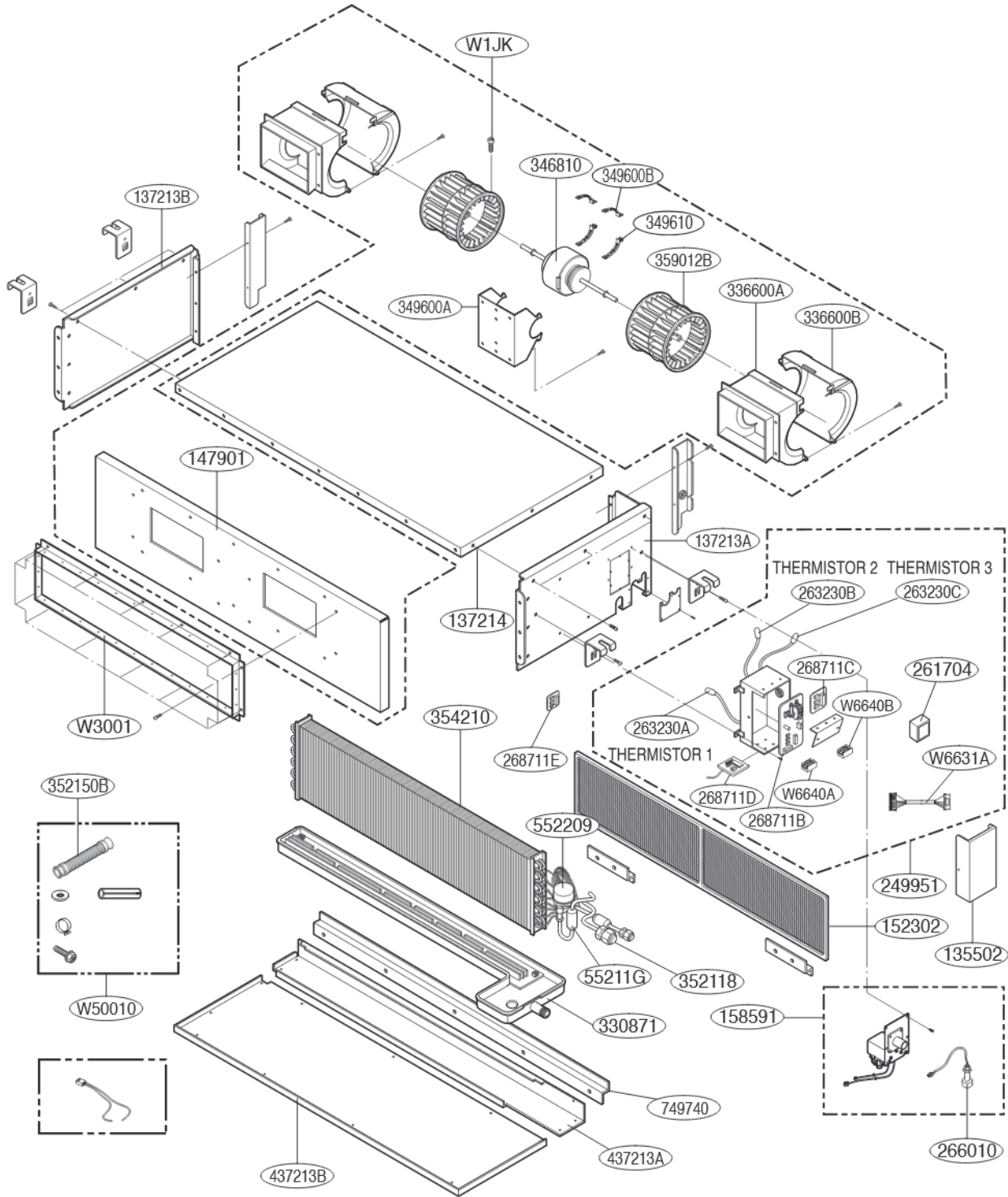


ARNU07/12/15GBGA4.ANCBLAT, ARNU07/09/12/15GBGA4.ENCBLEU



SVC No.	Description	Remark (Color)
263230A	Thermistor for room air temperature	CN-ROOM (Yellow)
263230B	Thermistor for pipe in temperature	CN-PIPE_IN (White)
263230C	Thermistor for pipe in temperature	CN-PIPE_OUT (Red)
268711D	PCB for communication	65 mm X 45 mm
268711B	PCB for main	210 mm X 95 mm
268711C	PCB for motor	100 mm X 100 mm
268711E	PCB for option	25 mm X 25 m