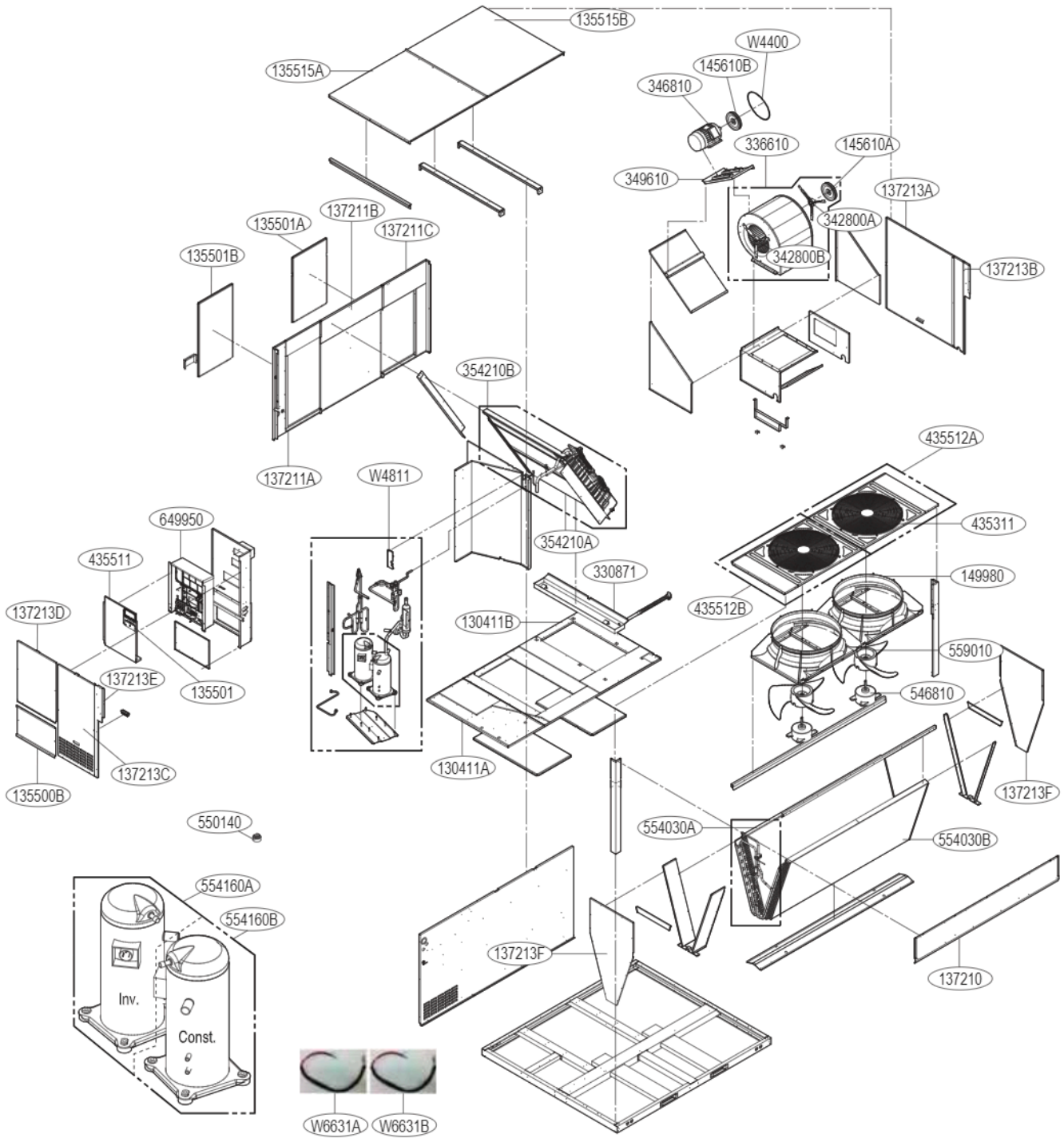


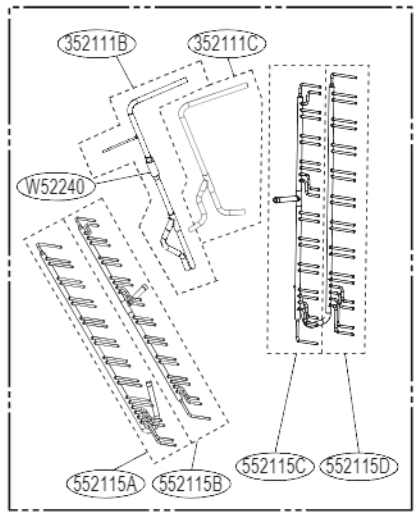
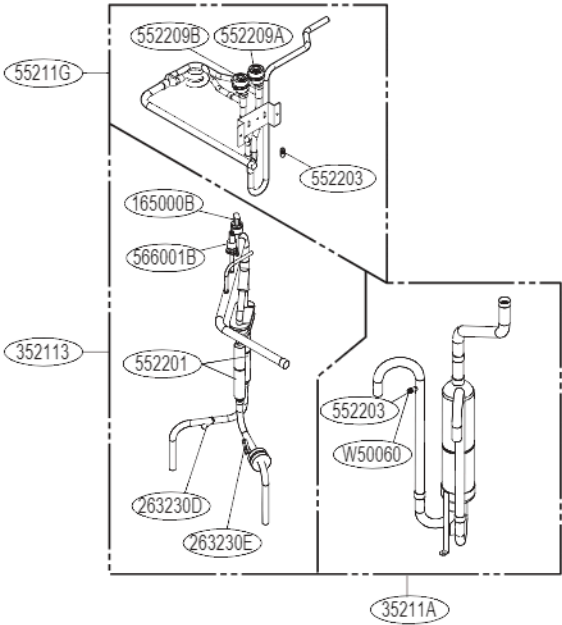
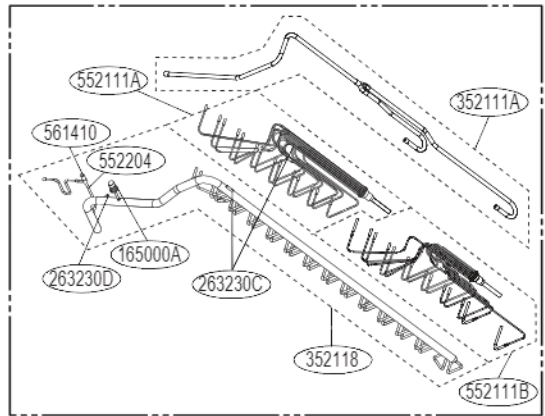
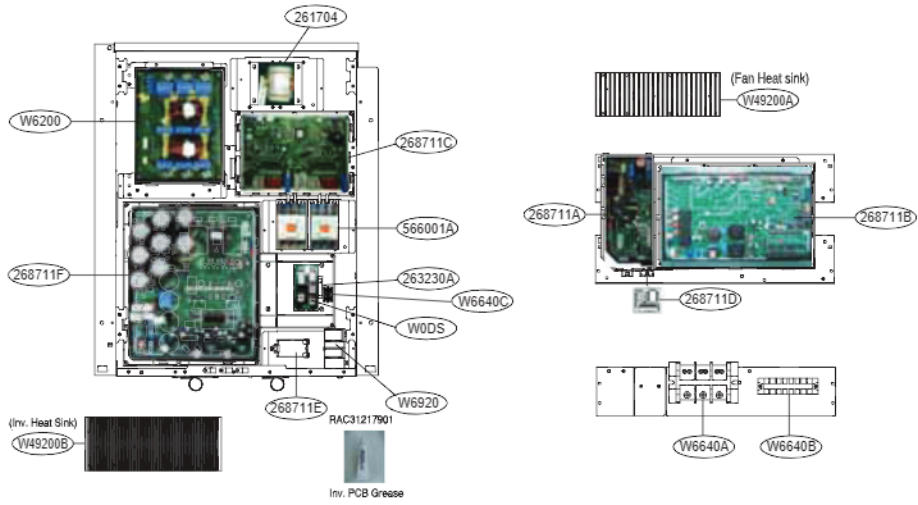
■ Model No.: AK-Q180DC00.AWGBLAT



Part	L/No	Type
Inv. Comp. Lead Wire	W6631A	Screw Type
Const. Comp. lead Wire	W6631B	Housing Type

Exploded View

■ Model No. : AK-Q180DC00.AWGBLAT



Part	L/No.	Sensor location	Remark
Temp. Sensor 1	263230A	Air + Inv. IPM	Housing Color : Green
Temp. Sensor 2	263230B	Fan. IPM	Housing Color : White
Temp. Sensor 3	263230C	Manifold Pipe + Capillary Pipe	Housing Color : Yellow
Temp. Sensor 4	263230D	Suction Pipe + Inv. Discharge	Housing Color : Violet
Temp. Sensor 5	263230E	Const. Discharge	Housing Color : Black