

PRODUCT INFORMATION PACKET

FASCO®

Model No: D1124
Catalog No: D1124
1/20 HP OEM Replacement Motor, 1550 RPM, 115 Volts, 3.3" Diameter, OAO
HVAC/R OEM Replacement Motors



Regal and Fasco are trademarks of Regal Beloit Corporation or one of its affiliated companies.
©2019 Regal Beloit Corporation, All Rights Reserved. MC017097E

REGAL



Nameplate Specifications

Output HP	1/20 Hp	Output KW	0.04 kW
Frequency	60 Hz	Voltage	115 V
Current	2.10 A	Speed	1550 rpm
Service Factor	1	Phase	1
Duty	Air Over	Insulation Class	B
Frame	3.3	Enclosure	Open Air Over
Thermal Protection	Thermally Protected	Ambient Temperature	40 °C
UL	Recognized	CSA	Y
CE	N		

Technical Specifications

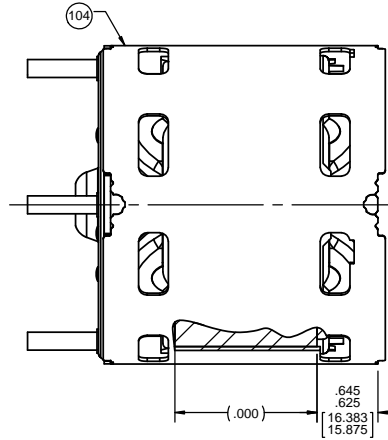
Electrical Type	Shaded Pole	Starting Method	Across The Line
Poles	4	Rotation	Clockwise Shaft End
Mounting	Extended Studs	Drive End Bearing	Sleeve
Opp Drive End Bearing	Sleeve	Frame Material	Steel
Shaft Type	Flat	Overall Length	6.37 in
Frame Length	2.82 in	Shaft Diameter	0.313 in
Shaft Extension	3 in		

This is an uncontrolled document once printed or downloaded and is subject to change without notice. Date Created:29/10/2019

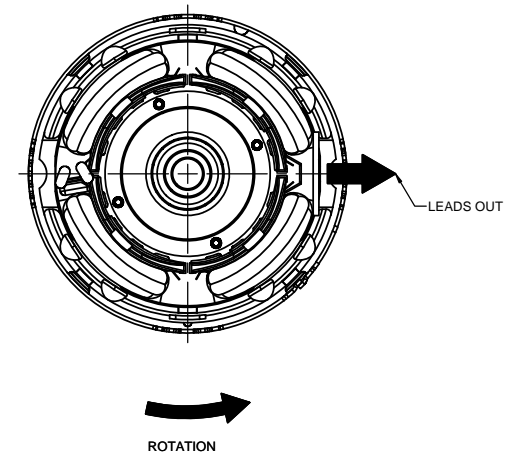
NOTES:

1. STAKE STATOR TO MAIN FRAME PER 88830264.
2. MAXIMUM TORQUE REQUIRED TO TURN MOTOR SHAFT IS 3/8 INCH-OUNCE.
3. MAKE-UP WASHERS ARE TO BE ADDED OR DELTED TO ACHIEVE REQUIRED ENDPLAY.

FRONT END



BACK END



PACKING SPECIFICATIONS

1. PACK 1 PER CONTAINER, 45 CONTAINERS PER LAYER, 6 LAYERS PER PALLET, 270 MAX. PER PALLET. Per 88834200.
2. PLACE FOAM RING ON WELD BOLTS OPPOSITE SHAFT END OF MOTOR AND FILLER TUBE OVER SHAFT. PLACE MOTOR IN CARTON SHAFT UP. CLOSE FLAPS AND TAPE.
3. CARTON LABELS MUST ALL FACE ONE DIRECTION TOWARD THE OPEN END OF THE PALLET. SEE 88834408.
4. PLACE (1) FLAT PAD BETWEEN EACH LAYER. PLACE ALL INSPECTION STICKERS AND WRITING ON FLAT PAD.
5. PLACE (4) NUTS IN PLASTIC BAG AND SECURE. PLACE BAG IN BOX.

DRAWING REVISION AB		REVISION BY MLS	DATE 3/16/2017	TOLERANCES UNLESS OTHERWISE SPECIFIED: DEC. INCH mm ANGLE		DRAWN BY	REGAL™ Regal Beloit America, Inc.	
ECO-0119917		APPROVED BY SED	DATE 3/16/2017	.X ±0.1 [±2.5] ±1°	.XX ±0.01 [±0.25]	DATE 3/16/2017	DESCRIPTION MOTOR ASSY	
ECO DESCRIPTION REVISED CORDSET MATERIAL PER CUST. REQUEST				.XXX ±0.005 [±0.127]	.XXXX ±0.0005 [±0.0127]	APPROVED BY SED	MATERIAL	
<small>COPYRIGHT REGAL BELOIT AMERICA, INC. ALL RIGHTS RESERVED. PROPRIETARY AND CONFIDENTIAL INFORMATION - THIS DOCUMENT IS THE PROPERTY OF REGAL BELOIT AMERICA, INC. FORMERLY AND CONTAINS OWNER'S PROPRIETARY INFORMATION. ANY PERSON, CORPORATION OR OTHER FIRM RECEIVING IT IS DEEMED, BY RECEIVING IT, TO AGREE THAT IT, AND/OR ANY PART OF IT, SHALL NOT BE DISCLOSED TO ANY PERSON, CORPORATION OR OTHER ENTITY, DUPLICATED, AND/OR USED, EXCEPT AS EXPRESSLY APPROVED IN WRITING IN ADVANCE BY OWNER. THIS DOCUMENT SHALL BE RETURNED TO OWNER UPON REQUEST. IT MAY BE SUBJECT TO CERTAIN RESTRICTIONS UNDER APPLICABLE EXPORT CONTROL LAWS AND REGULATIONS.</small>				REMOVE BURRS & BREAK SHARP EDGES: .003/.015 [0.076/.381] X 45° CORNER FILLETS: R.02 [S1]		DATE 3/16/2017	PROCESS FINISH BLACK	
				MACHINED SURFACES: 125/3.2		REFERENCE	DRAWING NUMBER	
				mm SHOWN IN [BRACKETS]		THIRD ANGLE PROJECTION	71635754	
						SIZE C	SHEET 2 OF 2	