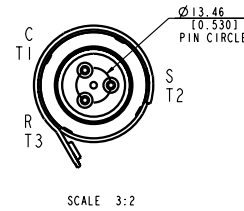
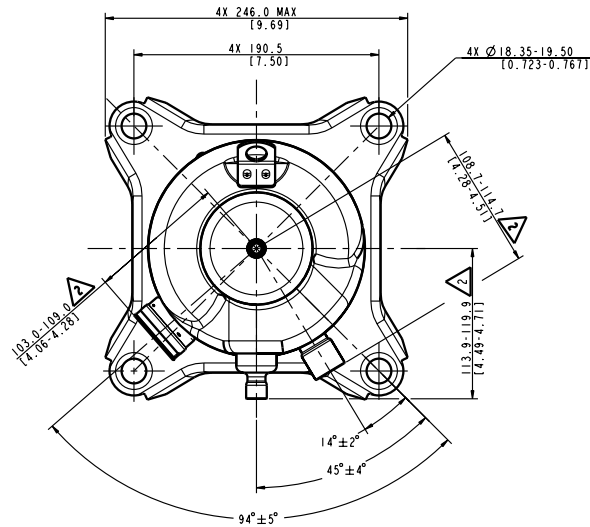


MODEL NUMBER	
ZPD54K5E-TFD/PFV/TFE	①
ZPD51K5E-TFD/TFS/PFV/TFE	②
ZPD42K5E-TFD/TFS/PFV/TFE	③
ZPD34K5E-TFD/TFS/PFV/PFJ/TF7/TFE	④⑤⑥⑦

SPECIFICATIONS	
ES NO.	DESCRIPTION
ES92-155	CONVERSION-METRIC

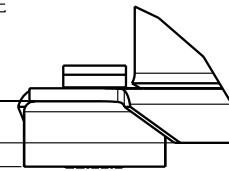
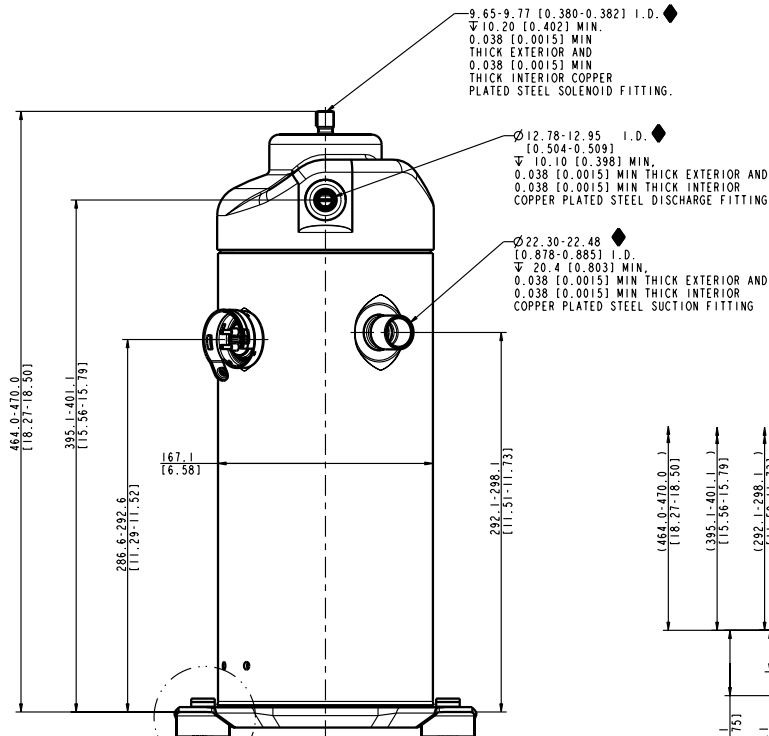


- NOTES:
- ALL TOLERANCES ± 1.50 (0.060) UNLESS OTHERWISE SPECIFIED.
 - THE SUCTION TUBE, DISCHARGE TUBE, AND CIRCLE FENCE RADIAL DIMENSIONS ARE TO BE GAUGED FROM THE CENTER OF THE MOUNTING HOLE PATTERN.

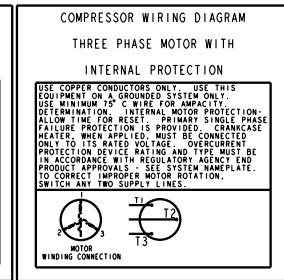
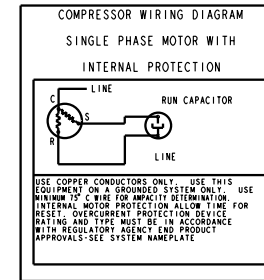
3. TUBE ENDS MUST BE PLUGGED.

4. MOUNTING KIT:

GROMMET DUROMETER	4 FOOT KIT
35-45	527-0116-00



DETAIL A
SCALE 2:1



ENG NOTICE NO.	REV. NO.	DESCRIPTION	DATE	BY	CHKD	APPD
ECN002185	5	ADDED ZPD42K5E-TFE	09-30-11	AM	WM	OL
ECN003002	4	ADDED ZPD34K5E/S1/S4K5E-TFE	09-29-11	AM	WM	OL
ECN001449	3	ADDED ZPD54K5E-TF7	05-13-09	MPH	EC	KJA
ECN001430	2	ADDED ZPD54K5E-TF5/PFV/PFJ	02-03-09	PMW	EC	KJA
ECN000445	1	ADDED ZPD34K5E-TFD	07-01-08	MA	EC	KJA
ECN000055	0	RELEASED	01-04-08	FR	BL	WS



INTERPRET PER ASME Y14.2M-1994 AND EMERSON CLIMATE TECHNOLOGIES, INC. DESIGN STANDARDS 000022 FOR MOUNTING KIT PRODUCTION

CRITICAL PRODUCT CHARACTERISTICS: THIS DRAWING SHALL BE PRODUCED TO DIMENSIONS UNLESS OTHERWISE SPECIFIED (DIMENSIONS ARE MILLIMETER OR INCH)

1-PLACE: ANGULAR

CONFIDENTIALITY NOTICE: THIS DRAWING AND INFORMATION CONTAINED HEREIN ARE THE EXCLUSIVE PROPERTY OF EMERSON CLIMATE TECHNOLOGIES, INC. AND SHALL BE RETURNED UPON DEMAND AND SHALL NOT BE REPRODUCED IN WHOLE OR IN PART, DISCLOSED TO ANYONE, OR USED, WITHOUT THE WRITTEN CONSENT OF EMERSON CLIMATE TECHNOLOGIES, INC.

DATE: 01-04-08
SCALE: 3:4
DATE FORMAT: MM-DD-YY

TITLE: REF DWG-WELD COMP ASSM
DRAWING NUMBER: 497-0649-00
SHEET 1 OF 1

UNCONTROLLED - DO NOT MODIFY