

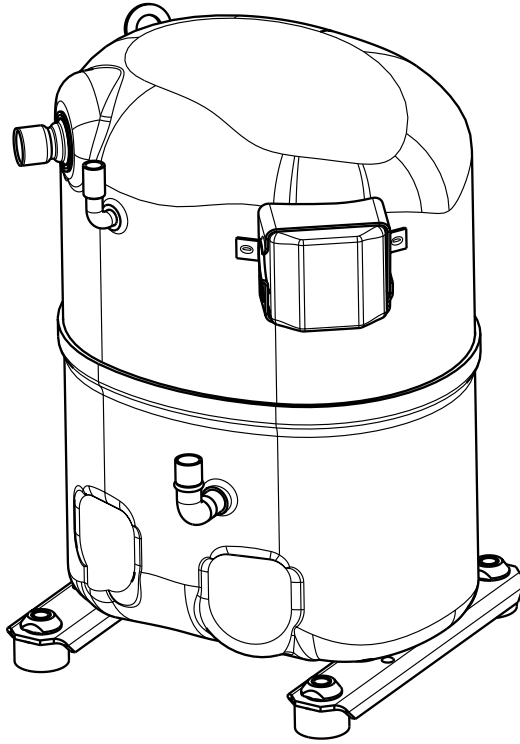
△ PART NUMBER	A	B
497-3822-00	12.924	11.065
497-3822-01	12.924	11.065
497-3822-02	13.424	11.565
497-3822-03	13.424	11.565
497-3822-04	13.924	12.065
497-3822-05	13.924	12.065
497-3822-06	12.924	11.065
497-3822-07	12.924	11.065
497-3822-08	13.424	11.565
497-3822-09	13.424	11.565
497-3822-10	13.924	12.065
497-3822-11	13.924	12.065

SPECIFICATIONS	
ES NO.	DESCRIPTION
ES22-122	PACKAGING
ES81-159	CLEANLINESS
ES81-250	IDENTIFICATION
ES92-167	REGULATORY COMPLIANCE

NOTES:

1. TOLERANCES TO BE ± 0.12 UNLESS OTHERWISE SPECIFIED.
2. TUBE ENDS MUST BE PLUGGED.
3. FOR MODEL APPLICATION REFER TO CHART

MODEL/PART CROSS REF △		
MODEL NUMBER	PART NUMBER FOR SE -245	PART NUMBER FOR SE -247
CF04K6E-PFV		
CF04K6E-TF5		
CF06K6E-PFV	497-3822-00	497-3822-06
CF06K6E-TF5		
CF06K6E-TFD	497-3822-01	497-3822-07
CF09K6E-PFV	497-3822-02	497-3822-08
CF09K6E-TF5		
CF09K6E-TFD	497-3822-03	497-3822-09
CF12K6E-PFV	497-3822-04	497-3822-10
CF12K6E-TF5		
CF12K6E-TFD	497-3822-05	497-3822-11
CF12K6E-TFE		--



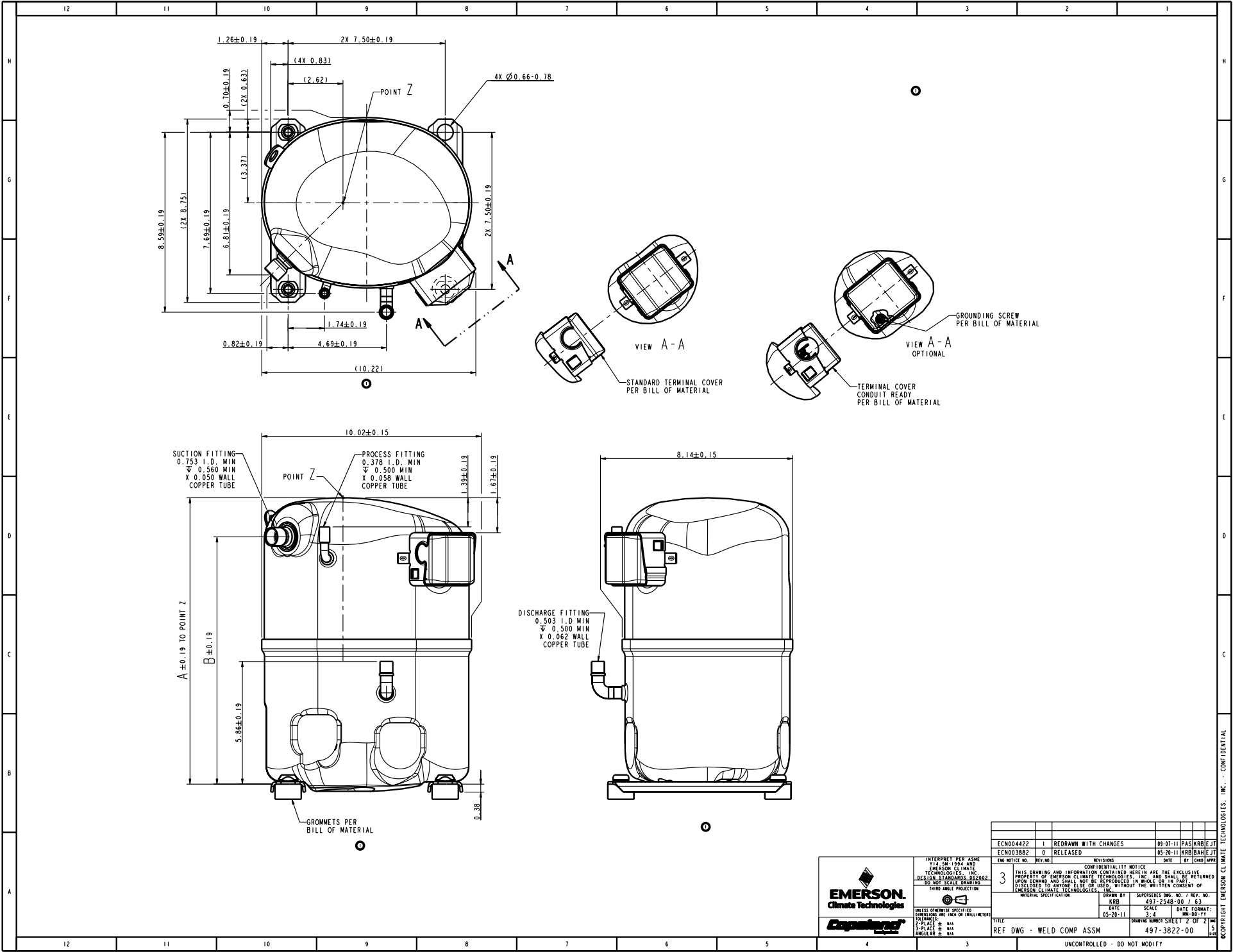
INTERPRET PER ASME Y14.2M-1994 AND EMERSON CLIMATE TECHNOLOGIES, INC. DESIGN STANDARDS DS0022-02, METRIC DRAWING THIRD ANGLE PROJECTION

UNLESS OTHERWISE SPECIFIED TOLERANCES ARE IN INCHES OR MILLIMETERS
 1-DIMENSIONS: * N/A
 2-PLACES: * N/A
 3-PLACES: * N/A
 ANGULAR: * N/A

CONFIDENTIALITY NOTICE			
3	THIS DRAWING AND INFORMATION CONTAINED HEREIN ARE THE EXCLUSIVE PROPERTY OF EMERSON CLIMATE TECHNOLOGIES, INC. AND SHALL BE RETURNED UPON DEMAND AND SHALL NOT BE REPRODUCED IN WHOLE OR IN PART, DISCLOSED TO ANYONE ELSE OR USED, WITHOUT THE WRITTEN CONSENT OF EMERSON CLIMATE TECHNOLOGIES, INC.	DATE	BY
		05-20-11	KRB/BAH/JT
DRAWN BY: SUPERSEDES DWG. NO. / REV. NO.		SCALE:	DATE FORMAT:
KRB 497-2548-00 / 63		1:1	MM-DD-YY
DATE: 05-20-11		DRAWING NUMBER SHEET 1 OF 2	
TITLE: REF DWG - WELD COMP ASSM		497-3822-00	

UNCONTROLLED - DO NOT MODIFY

COPYRIGHT EMERSON CLIMATE TECHNOLOGIES, INC. - CONFIDENTIAL



INTERPRET PER ASME Y14.2M-1994 AND Y14.29-1994 AND Y14.39-1994 AND Y14.43-1994 AND Y14.44-1994 AND Y14.45-1994 AND Y14.46-1994 AND Y14.47-1994 AND Y14.48-1994 AND Y14.49-1994 AND Y14.50-1994 AND Y14.51-1994 AND Y14.52-1994 AND Y14.53-1994 AND Y14.54-1994 AND Y14.55-1994 AND Y14.56-1994 AND Y14.57-1994 AND Y14.58-1994 AND Y14.59-1994 AND Y14.60-1994 AND Y14.61-1994 AND Y14.62-1994 AND Y14.63-1994 AND Y14.64-1994 AND Y14.65-1994 AND Y14.66-1994 AND Y14.67-1994 AND Y14.68-1994 AND Y14.69-1994 AND Y14.70-1994 AND Y14.71-1994 AND Y14.72-1994 AND Y14.73-1994 AND Y14.74-1994 AND Y14.75-1994 AND Y14.76-1994 AND Y14.77-1994 AND Y14.78-1994 AND Y14.79-1994 AND Y14.80-1994 AND Y14.81-1994 AND Y14.82-1994 AND Y14.83-1994 AND Y14.84-1994 AND Y14.85-1994 AND Y14.86-1994 AND Y14.87-1994 AND Y14.88-1994 AND Y14.89-1994 AND Y14.90-1994 AND Y14.91-1994 AND Y14.92-1994 AND Y14.93-1994 AND Y14.94-1994 AND Y14.95-1994 AND Y14.96-1994 AND Y14.97-1994 AND Y14.98-1994 AND Y14.99-1994 AND Y14.100-1994

REV. NO.	DESCRIPTION	DATE	BY	CHKD	APPD
1	REDRAWN WITH CHANGES	09-07-11	PAS	KRB	JT
0	RELEASED	05-20-11	KRB	BAH	JT

REV. NO.	DESCRIPTION	DATE	BY	CHKD	APPD
3	THIS DRAWING AND INFORMATION CONTAINED HEREIN ARE THE EXCLUSIVE PROPERTY OF EMERSON CLIMATE TECHNOLOGIES, INC. AND SHALL BE RETURNED UPON DEMAND AND SHALL NOT BE REPRODUCED IN WHOLE OR IN PART, DISCLOSED TO ANYONE ELSE OR USED, WITHOUT THE WRITTEN CONSENT OF EMERSON CLIMATE TECHNOLOGIES, INC.				

ECN004422	1	REDRAWN WITH CHANGES	09-07-11	PAS	KRB	JT
ECN003882	0	RELEASED	05-20-11	KRB	BAH	JT

EMERSON CLIMATE TECHNOLOGIES, INC.	DESIGN STANDARDS 050202-02, METICAL, DRAWING	THIRD ANGLE PROJECTION
UNLESS OTHERWISE SPECIFIED DIMENSIONS ARE IN INCHES OR MILLIMETERS	2-PLACE: N/A	3-PLACE: N/A
ANGULAR: N/A		

TITLE	REF DWG - WELD COMP ASSM
DRAWING NUMBER	497-3822-00
DATE	05-20-11
SCALE	3:4
SUPERSEDES DWG. NO. / REV. NO.	497-2548-00 / 63

COPYRIGHT EMERSON CLIMATE TECHNOLOGIES, INC. - CONFIDENTIAL

UNCONTROLLED - DO NOT MODIFY